

54W79, 98W76	INSTALLATION INSTRUCTIONS
KITS COMMON TO COOLING AND HEAT PUMP EQUIPMENT	COIL GUARDS FOR LGH,LCH 156; KGA,KCA 156H; KGA,KCA 180S/210S

APPLICATION

The Coil Guard 54W79, 98W76 is designed to prevent damage to the condenser coil of the HVAC unit. The following parts are included in the package:

SHIPPING AND PACKING LIST

- 1 ea. - Coil Guard
- 1 ea. - Hardware Package
 - 1 ea - Installation Instruction
 - 6 ea - #10 - 1/2" Self Drilling Screws

CAUTION!!

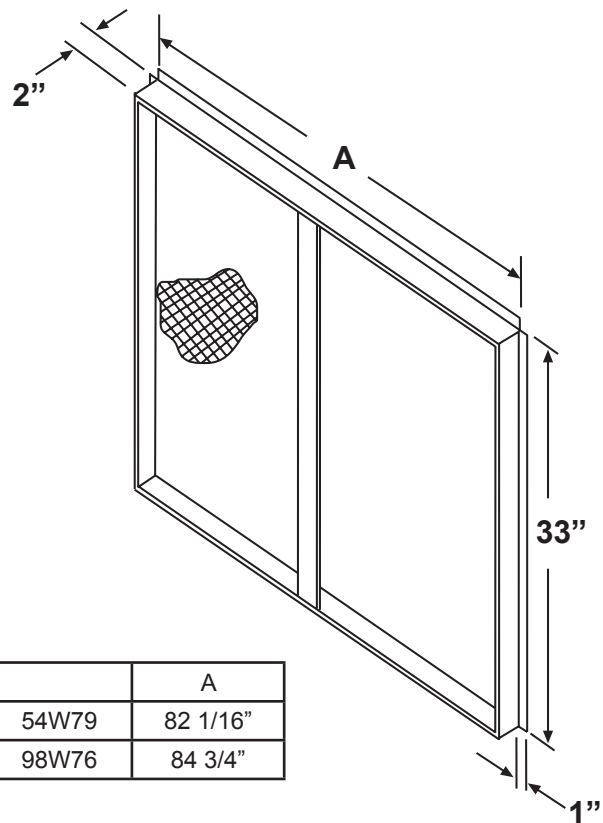
WHEN INSTALLING GUARD, USE CARE TO
NOT PUNCTURE CONDENSER COIL

INSTALLATION

STEP 1:

Lift the coil guard assembly to cover condenser coil. Place top flange of coil guard under flange of HVAC unit (see side detail). Align coil guard sides vertically so cut-outs miss the coil bolts on both sides (see front view detail). Secure in place with 1/2" self-drilling screws in pre-punched holes.

NOTE: To avoid damage to coil, never use screws longer than 1/2".



	A
54W79	82 1/16"
98W76	84 3/4"

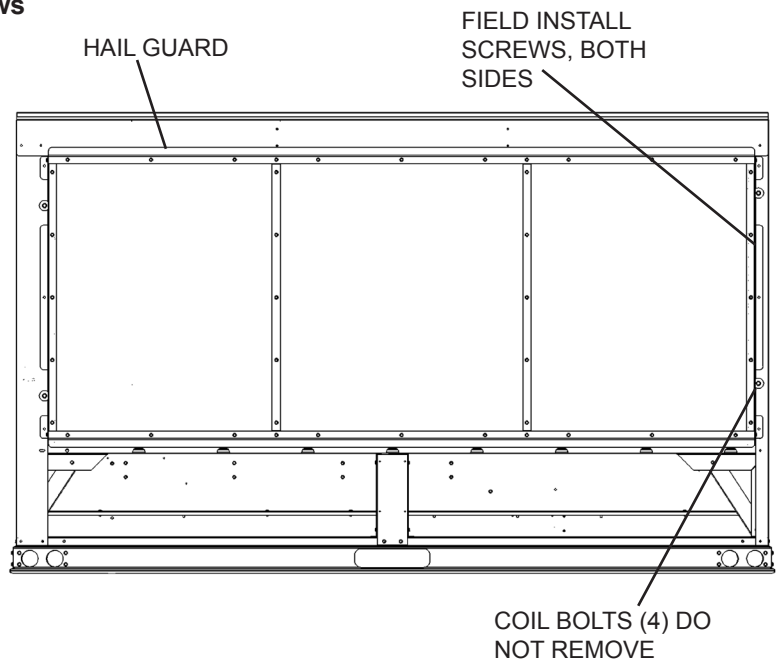
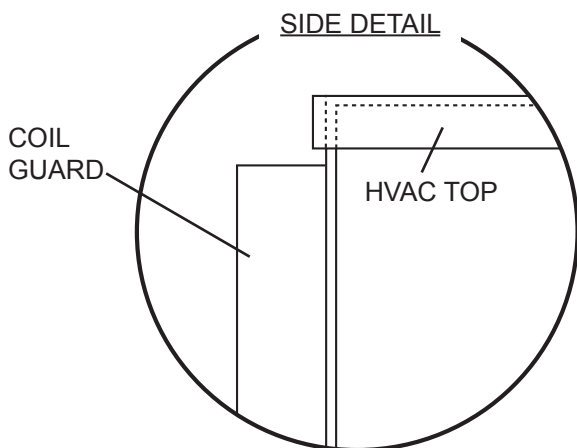


FIGURE 1 - FRONT VIEW DETAIL