

**DISCONNECT AND
 CIRCUIT BREAKER KIT**

**INSTALLATION INSTRUCTIONS FOR DISCONNECT SWITCH AND CIRCUIT BREAKER KIT
 USED ON TG/TC/TH/KG/KC/KH/LGH/LCH 024-150 PACKAGED UNITS**

Shipping and Packing List

20W15-26 Package 1 of 1 contains:

- 1- Power entry box assembly


73M87-88 & 73M91-99 & 74M00-05

Package 1 of 1 contains:

- 1- Power entry box assembly
- 1- Power entry cover
- 1- Gasket
- 1- Bag assembly containing:
 - 1-Disconnect switch flip-cover
 - 1-Rain lip
 - 3-Wires
- 12-#10-32 X 1/2 Screws
- 4-#6-16 X 1/2 Screws
- 4-#8-32 X 1/2 Screws

Application

The Disconnect and Circuit Breaker Kits are used on TG/TC/TH/KG/KC/KH/LGH/LCH 024 through 150 units. See table 1, 2, or 3 for usage. Disconnect size depends on unit voltage, blower motor horsepower, and electric heat; refer to product specifications to determine which size disconnect or circuit breaker to use with each unit.


WARNING

Improper installation, adjustment, alteration, service or maintenance can cause property damage, personal injury or loss of life. Installation and service must be performed by a qualified installer, service agency or the gas supplier.

TABLE 1
TG/TC/KG/KC 030, 036, 048, 060 &
TH/KH 024, 030, 036, 048, 060B
LGH036-048

Unit (Short Cabinet)	Disconnect Kit	Hinges	Size (Amps)
TC/TH/KC/KH	LB-111182A 20W15	No	80
TC/TH/KC/KH	LB-111182B 20W16	No	150
TG/KG	LB-111182C 20W17	No	80
TC/TH/KC/KH/LCH	LB-111182G 20W21	Yes	80
TC/TH/KC/KH/LCH	LB-111182H 20W22	Yes	150
TG/KG/LGH	LB-111182J 20W23	Yes	80



TABLE 2
TH/KH/LGH/LCH 060, KG/KC 090 & All 072 Units

Unit (Tall Cabinet)	Disconnect Kit	Hinges	Size (Amps)
TC/TH/KC/KH	LB-111182D 20W18	No	80
TC/TH/KC/KH	LB-111182E 20W19	No	150
TG/KG	LB-111182F 20W20	No	80
TC/TH/KC/KH/LCH	LB-111182K 20W24	Yes	80
TC/TH/KC/KH/LCH	LB-111182L 20W25	Yes	150
TG/KG/LGH	LB-111182M 20W26	Yes	80

TABLE 3
TG/TC/TH 090-150 Units

Disconnect Kit		Size
LB-107879A	73M87	80 Amp
LB-107879B	73M88	150 Amp
Circuit Breaker Kit		Size
LB-107879E	73M91	20 Amp
LB-107879F	73M92	25 Amp
LB-107879G	73M93	30 Amp
LB-107879H	73M94	35 Amp
LB-107879J	73M95	40 Amp
LB-107879K	73M96	45 Amp
LB-107879L	73M97	50 Amp
LB-107879M	73M98	60 Amp
LB-107879N	73M99	70 Amp
LB-107879P	74M00	80 Amp
LB-107879R	74M01	90 Amp
LB-107879S	74M02	100 Amp
LB-107879T	74M03	110 Amp
LB-107879W	74M04	125 Amp
LB-107879X	74M05	150 Amp

Installation - 024-072, KG/KC 090 Units

- 1- Disconnect all power to unit. Open compressor access panel.
- 2- Remove the mullion on the left side of the compressor section. Retain the screws. See figure 1.
- 3- On units with hinged panels, remove the door seal from the mullion. Install the door seal in the same



location on the disconnect assembly mullion provided in this kit.

- 4- Install the disconnect assembly in place of the removed mullion. Secure with retained screws.

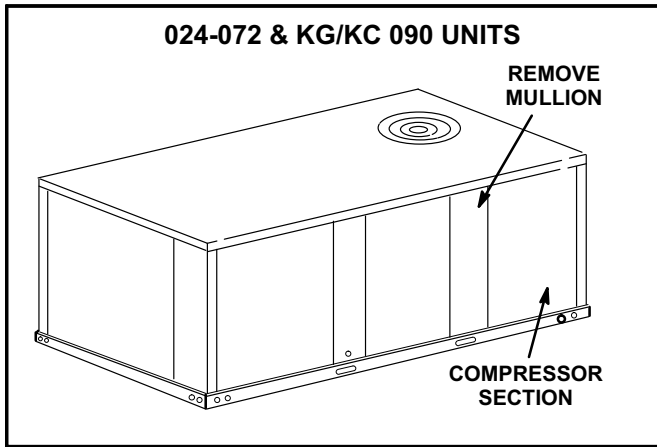


FIGURE 1

⚠ CAUTION

Danger of sharp metallic edges. Can cause injury. Take care when servicing unit to avoid accidental contact with sharp edges.

Installation - TG/TC/TH 090-150 Units

- 1- Disconnect all power to unit and remove compressor access panels.
- 2- Remove the cover plate on the mullion between the compressor and blower sections.
- 3- Align the power entry box, rain lip, and mullion engaging holes as shown in figure 2 and 3. Place the rain lip flange between the power entry box and the mullion. Secure with screws provided in kit.

Wiring

- 1- Route main power through field-provided conduit to power entry box. See figure 4. Refer to unit dimensions in unit installation instruction for power entry location. Connect power wiring to L1, L2, and L3 on disconnect or circuit breaker.
- 2- Make wire connections as shown in figure 5 when no electric heat is installed. Make wire connections as shown in figure 6 when electric heat is installed with single point power supply. Refer to the component arrangement sticker on the inside of the compressor access panel for the location of K1, K2, and K3.

Disconnect Cover - TG/TC/TH 090-150 Units

- 1- Install flip cover and gasket on painted side of power entry cover as shown in figure 7. Make sure flip cover opens upward.
- 2- Install power entry cover over power make-up box opening. Secure with screws.

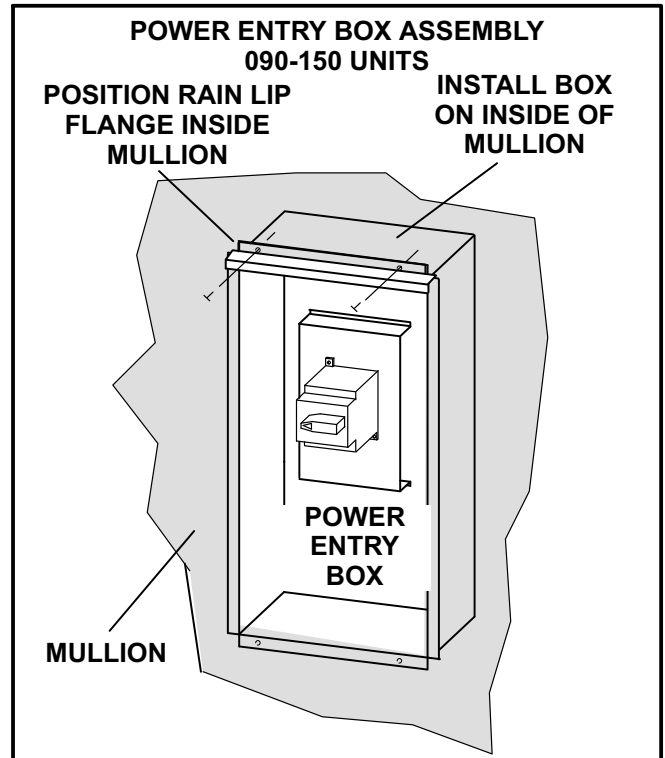


FIGURE 2

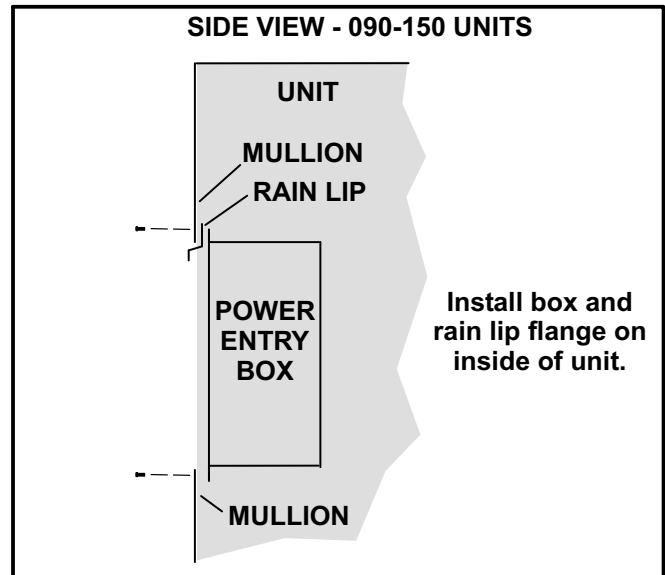


FIGURE 3

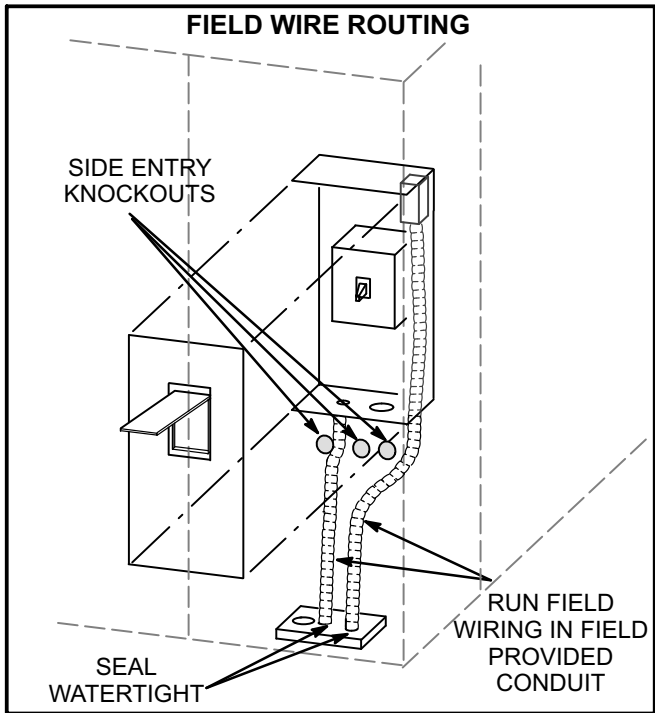


FIGURE 4

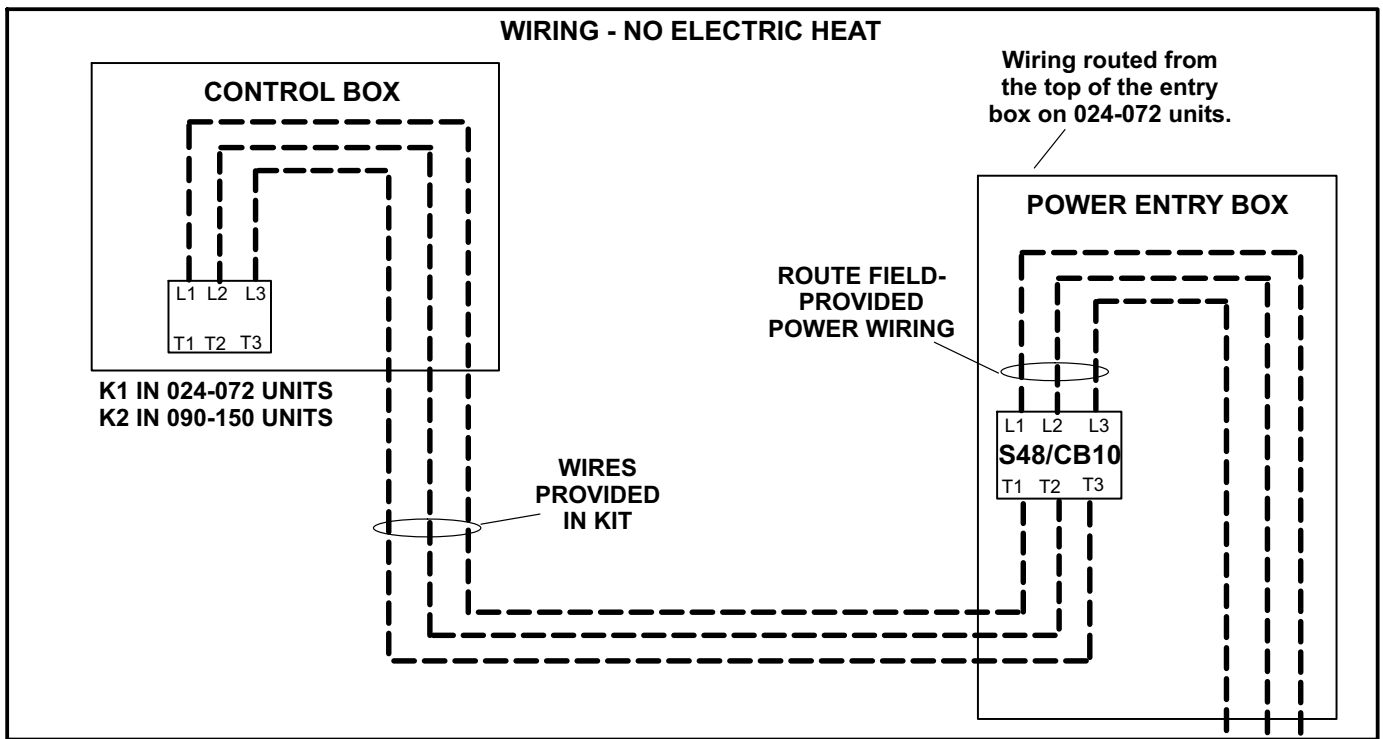


FIGURE 5

WIRING - ELECTRIC HEAT AND SINGLE POINT POWER SUPPLY

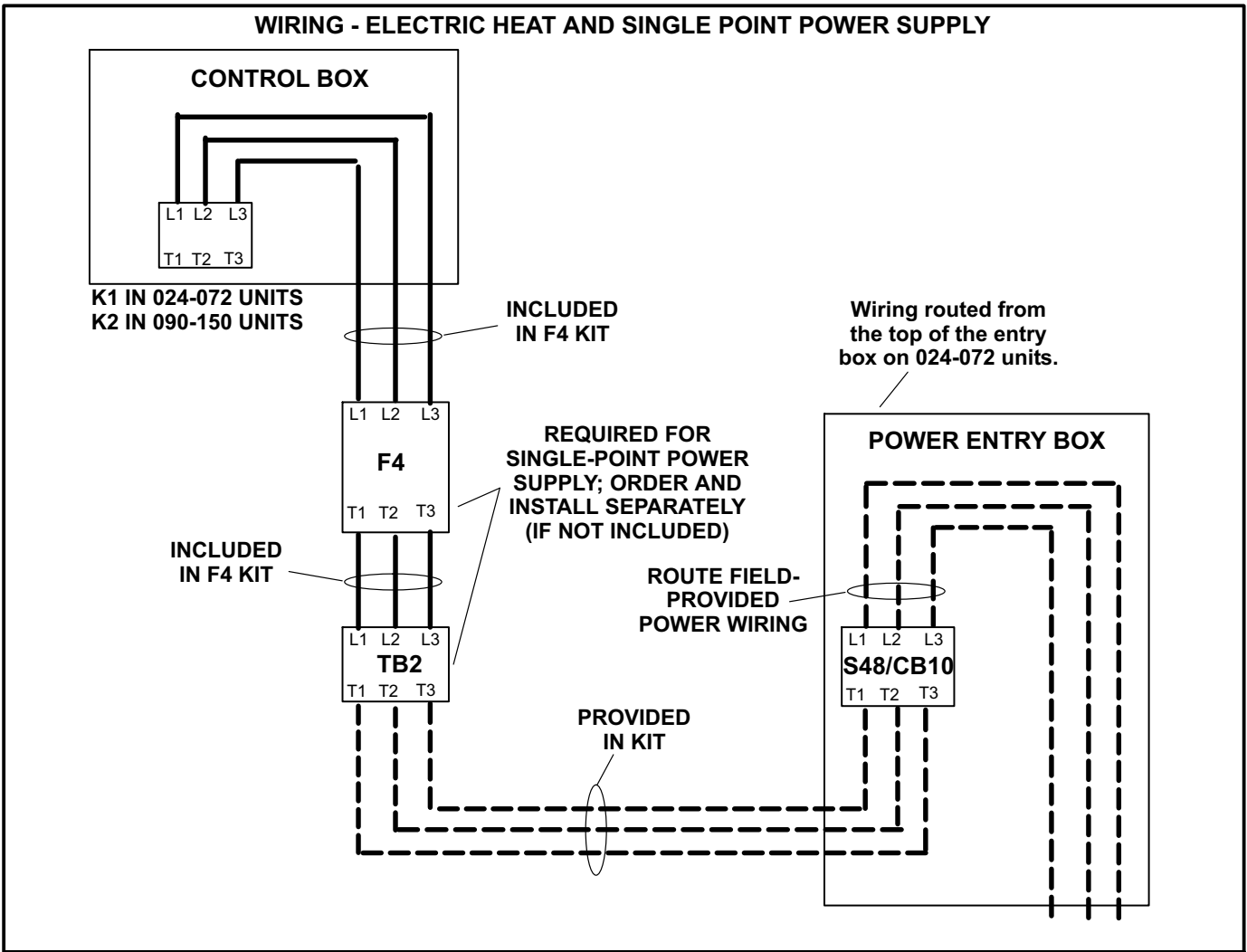


FIGURE 6

**POWER ENTRY COVER AND FLIP-COVER
090-150 UNITS**

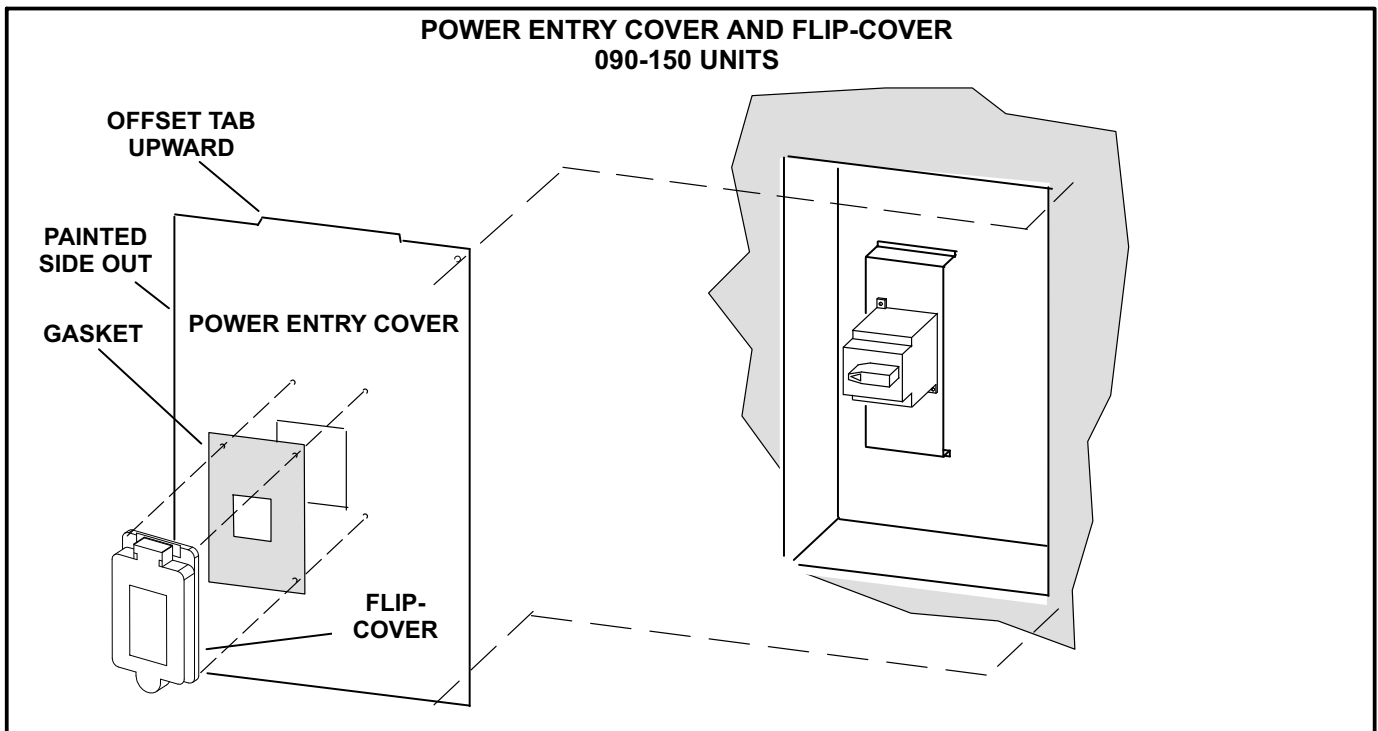


FIGURE 7