

# 17W90

# INSTALLATION INSTRUCTIONS

KITS COMMON TO COOLING  
AND HEAT PUMP EQUIPMENT

HAIL GUARDS FOR TCA/TGA/KCA/KGA 072;  
THA 060-072; KHA 060; LCH/LGH 060-072

## APPLICATION

The Hail Guard (17W90) is designed to prevent damage to the condenser coil of the HVAC unit. The following parts are included in the package:

## SHIPPING AND PACKING LIST

- 1 ea. - Hail Guard Top - Small (A)
- 1 ea. - Hail Guard Top - Large (B)
- 2 ea. - Hail Guard Side - Right (C)
- 2 ea. - Hail Guard Side - Left (D)
- 1 ea. - Hail Guard Diamond Cut - Small (E)
- 1 ea. - Hail Guard Diamond Cut - Large (F)
- 1 ea. - Hardware Package
  - 1 ea. - Installation Instruction
  - 16 ea. - #10 x 1/2" Sheet Metal Screws
  - 6 ea. - #10 x 1/2" Self Drilling Screws

## CAUTION!!

WHEN INSTALLING GUARD, USE CARE TO  
NOT PUNCTURE CONDENSER COIL

## INSTALLATION

The 17W90 package includes (2) hail guards.

### STEP 1: Assemble the small hail guard.

Using provided hardware, assemble the hail guard top (A) to the left side (D) and right side (C). Open the clips on the sides to secure hail guard assembly.

### STEP 2:

Insert the hail guard - diamond cut (E) in between the left side (D) and right side (C). Note: the sheet metal flange will be at the bottom of the hail guard (E). Lock hail guard in place by closing clips on side flanges

### STEP 3:

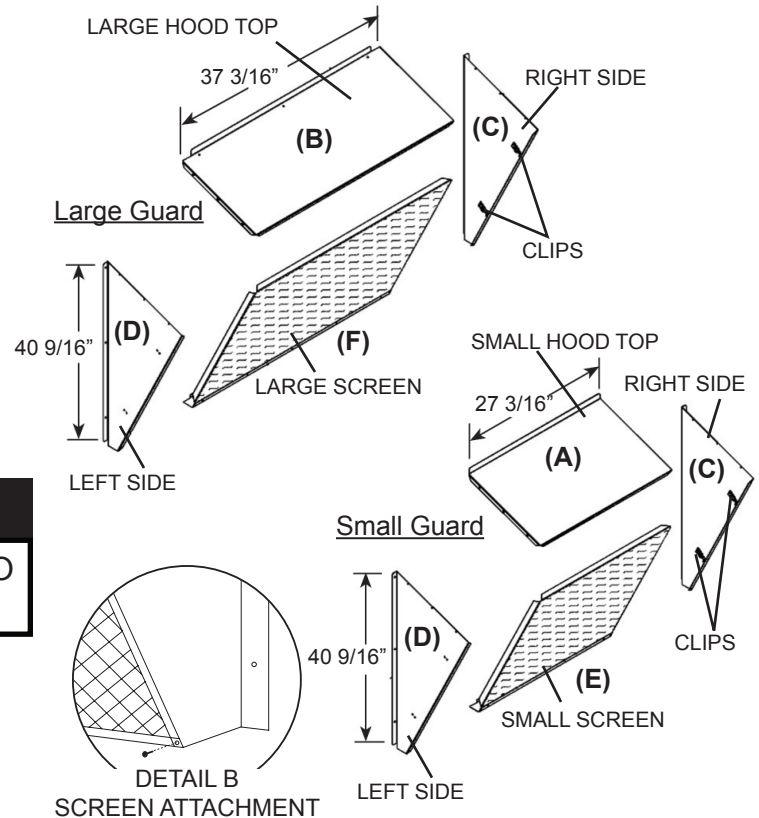
Screw the flange on the bottom of the hail guard (E) to the left (D) and right (C) sides. See "Detail B".

### STEP 4: Assemble the large hail guard.

Repeat steps 1, 2 & 3 to assemble the large hail guard.

### STEP 5: Install guards to HVAC unit.

Lift small hail guard assembly to cover side condenser coil. Slide the top flange of the guard underneath the top of the HVAC unit. See "Detail A". Center the guard over the coil (side-to-side). Align the holes on the guard's side flange with holes / screws in HVAC unit. Secure in place. Repeat these steps for the large hail guard assembly by securing it to the end of the HVAC unit.



**IMPORTANT:**  
CENTER HAIL GUARD  
SIDE-TO-SIDE OVER  
CONDENSER COIL

