

**INSTALLATION INSTRUCTIONS FOR POWER EXHAUST FANS
(79W87-94; 607212-01-08) USED WITH KG/KC/KH/LGH/LCH 024-090 PACKAGED UNITS**

Shipping and Packing List

Package 1 contains:

- 1- Power exhaust assembly
- 1- Bag assembly containing:
#10 Sheet metal screws

Check packaging for shipping damage. Contact the last carrier immediately if any shipping damage is found.

Application

Power exhaust fans are applied to units equipped with an economizer in downflow air discharge. The power exhaust fan option cannot be used in horizontal air discharge applications. See table 1.

Locate all other accessories to be installed. Install accessories in the following order:

- 1-Economizer Dampers
- 2-Sensors
- 3-Power Exhaust Fans
- 4-Gravity Exhaust Dampers
- 5-Exhaust Hoods
- 6-Intake Hoods

TABLE 1

Unit	Unit Voltage	Cat No.
LGH/LCH036, 048 KG/KC 024-060 KH024-048	208/230	79W87
	460	79W88
	575	79W89
	380/420	79W93
LGH/LCH060, 072 KC/KG 072, 090 KH 060, 072	208/230	79W90
	460	79W91
	575	79W92
	380/420	79W94

⚠ WARNING

Improper installation, adjustment, alteration, service or maintenance can cause property damage, personal injury or loss of life. Installation and service must be performed by a licensed professional HVAC installer or equivalent, service agency, or the gas supplier

Installation

- 1- Disconnect electrical power to unit.
- 2- Remove or open unit end panel. See figure 1.

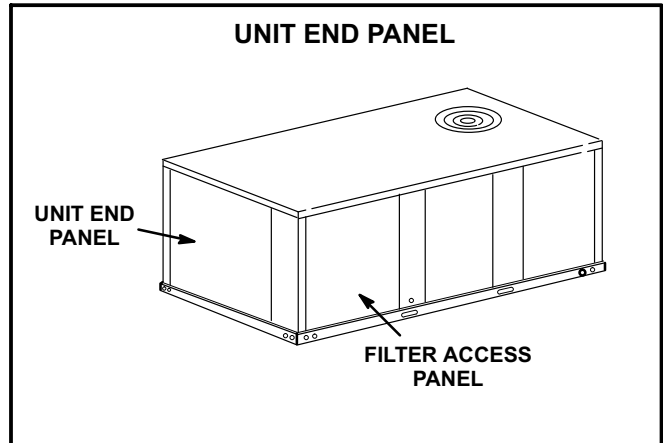


FIGURE 1

- 3- If unit does not already contain an economizer, install using the instructions provided with economizer. Install optional enthalpy sensor(s) if used; refer to instructions provided with sensors.
- 4- Remove gravity exhaust dampers from the economizer assembly. See figure 2.

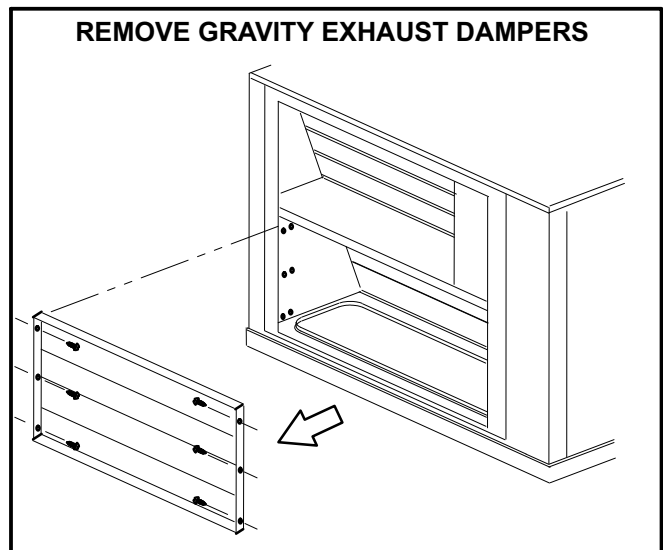


FIGURE 2

⚠ CAUTION

Danger of sharp metallic edges. Can cause injury. Take care when servicing unit to avoid accidental contact with sharp edges.



5- *LG/LCH Units -*

Remove and discard power exhaust fan jumper harness. See figure 3. Set fan near unit opening and connect J18/P18 and J24/P24 plugs. See figure 4 for location of J18 and J24.

KG/KC/KH Units -

Set fan assembly near unit opening and connect J132/P132 plugs. See figure 5.

On field-installed economizers only, locate the pink and gray power wires and route to the control panel. Connect pink wire to K1 contactor L1 terminal. Connect gray wire to K1 contactor L2 terminal using the terminal adapter provided in kit. See figure 6.

- 6- Install fan assembly and secure with screws provided.
- 7- Install gravity exhaust in exhaust air hood as shown in economizer installation instruction.

Set Unit Controller - LGH/LCH Units

Use the Unit Controller manual provided with each unit to enable the exhaust fan.

Use the following menu:
*Settings>Install>New M2>Exhaust Stages>
1 Exhaust Stage*

Operation

Power exhaust fans are energized when economizer dampers reach 50% (default).

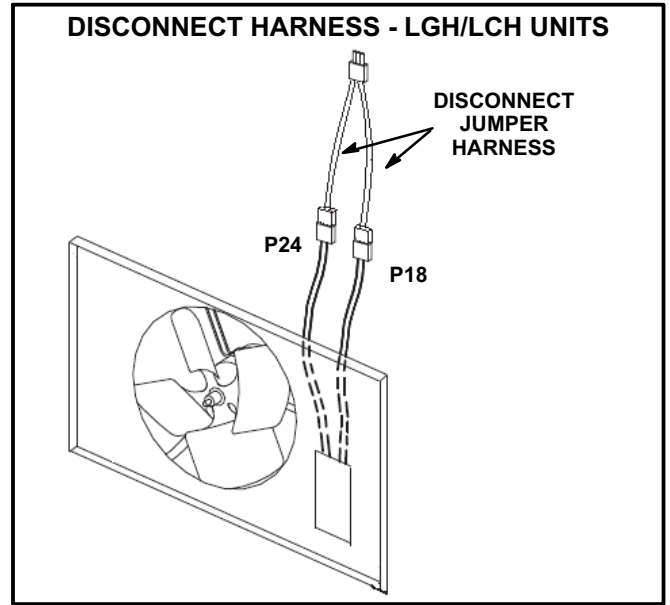


FIGURE 3

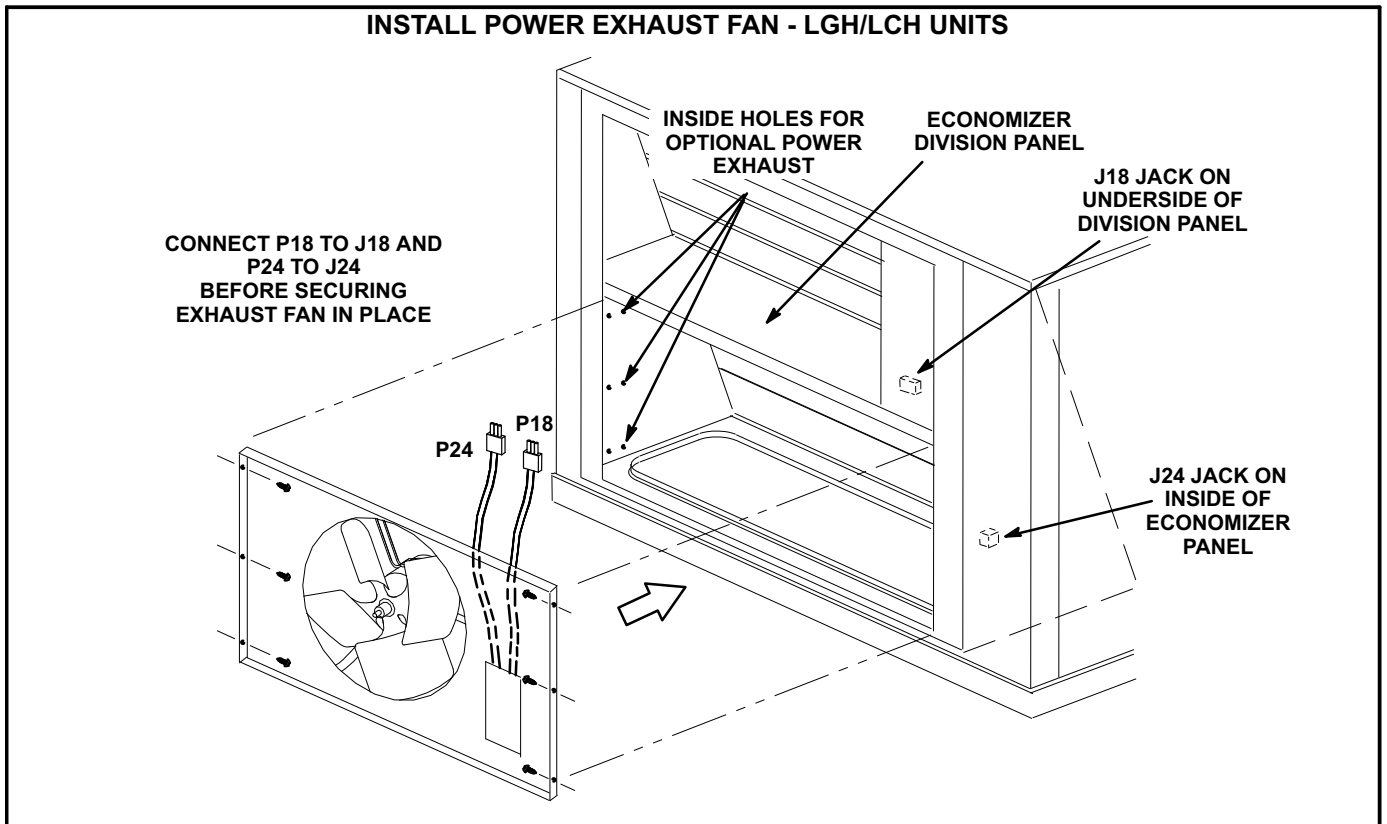


FIGURE 4

INSTALL POWER EXHAUST FAN - KG/KC/KH UNITS

**CONNECT P132 TO J132
BEFORE SECURING
EXHAUST FAN IN PLACE**

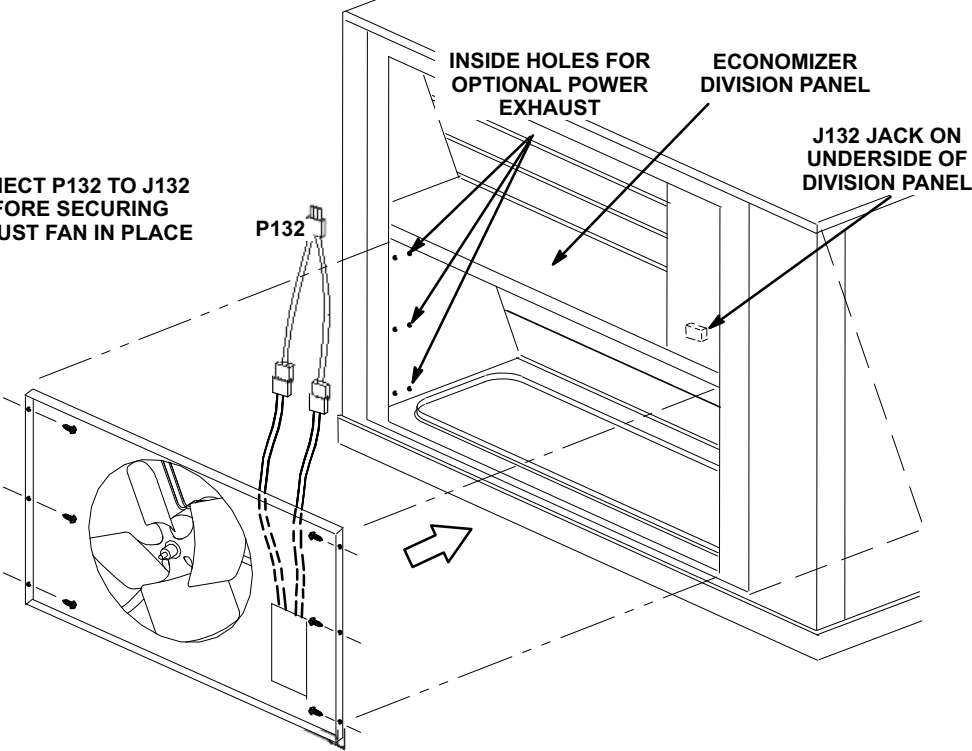
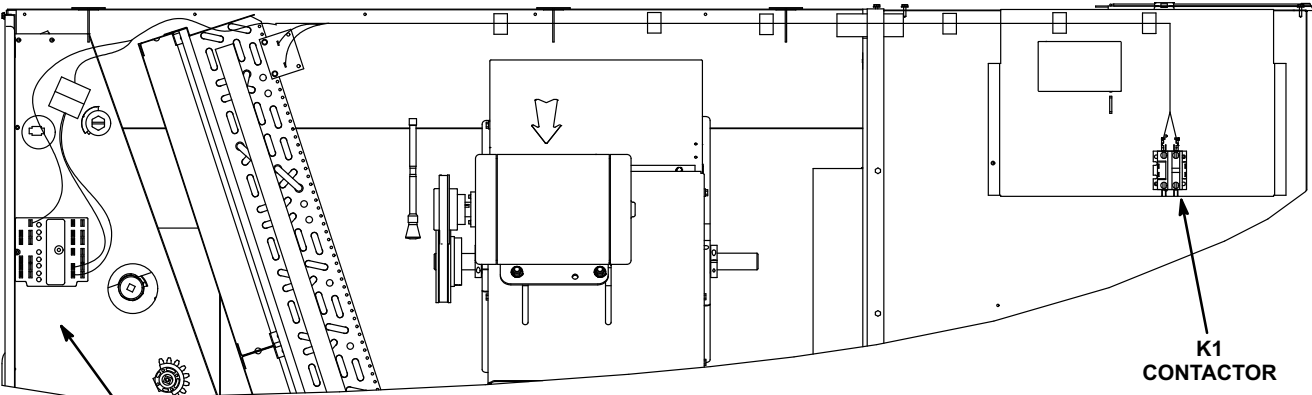


FIGURE 5

CONNECT POWER WIRES - KG/KC/KH UNITS WITH FIELD-INSTALLED POWER EXHAUST FANS



**LOCATE THE COILED PINK AND GRAY WIRES AND
ROUTE TO THE CONTROL PANEL. CONNECT PINK
WIRE TO K1-L1. CONNECT GRAY WIRE TO K1-L2
USING THE TERMINAL ADAPTER PROVIDED IN KIT.**

FIGURE 6