

LF AND LD SERIES HANGING BRACKET KIT

INSTALLATION INSTRUCTIONS FOR HANGING BRACKET KIT (87277) USED ON LF AND LD SERIES UNIT HEATERS

Shipping and Packing List

Package 1 of 1 contains:

- 2- Hanging brackets
- 1- Bag assembly containing screws, washers, nuts and 2 reducer couplings

Application

This kit is used to suspend LF and LD series unit/duct heaters on two pipe hangers.

Installation

- 1- Position brackets over threaded holes in top of unit with open sides facing outward. See Figure 1.
- 2- Secure brackets to unit with four 3/8-16 machine screws (provided) and washers.

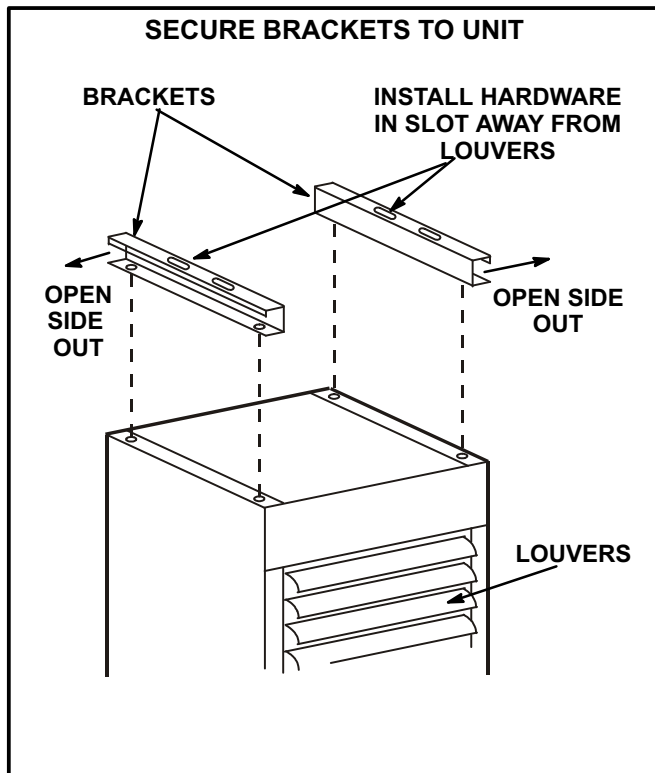


FIGURE 1

- 3- Install reducer couplings and associated hardware in bracket slots further away from the louvers. See figure 1. Assemble as shown in figure 2. DO NOT TIGHTEN HARDWARE.
- 4- Assemble 3/4" pipe hangers (field provided) using figure 3 and table 1 for centerline dimension.
- 5- Hoist unit to a position which aligns the reducer couplings with the pipe hangers. Thread reducer couplings onto hangers and tighten.
- 6- Level unit by sliding back and forth until balance point is determined.
- 7- Tighten nuts on reducer coupling assemblies to secure unit in final position.

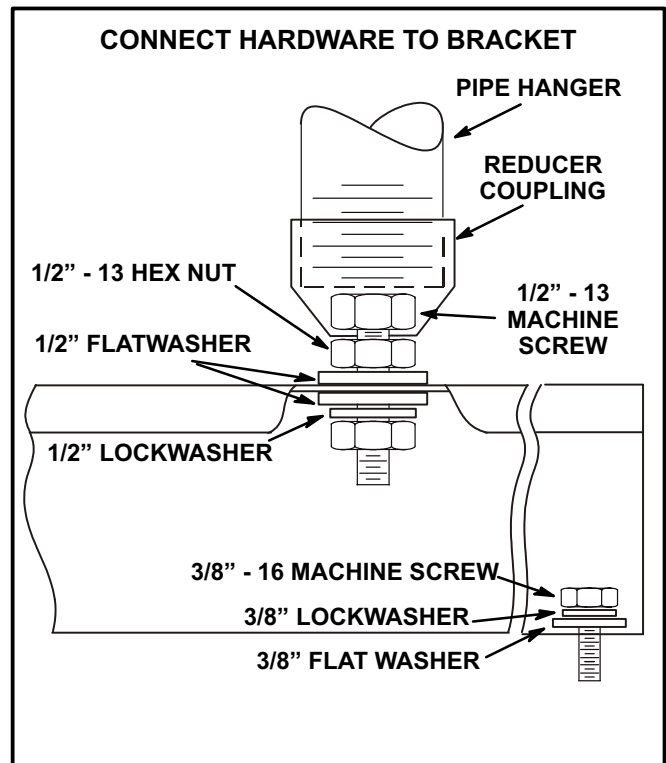


FIGURE 2

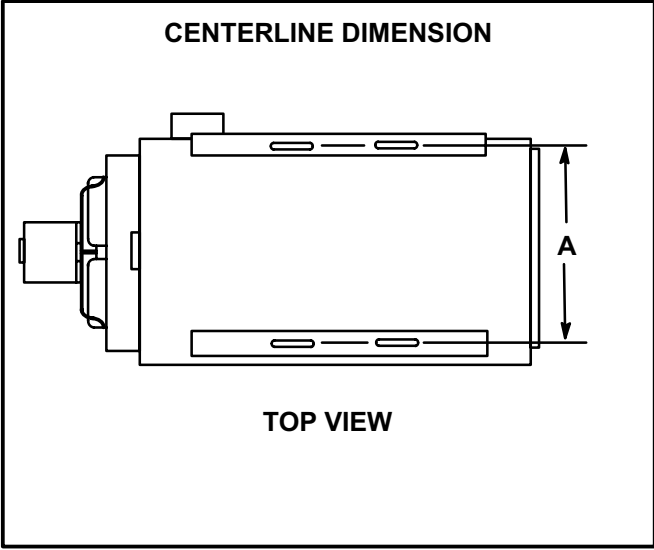


FIGURE 3

**TABLE 1
WIDTH BETWEEN BRACKET SLOTS**

Unit	A (in.)	A (mm)
LF/LD20-110	18-3/4	477
LF/LD20-137	21-15/16	556
LF/LD20-165	25	635
LF/LD20-220	31-1/4	794
LF/LD20-275	37-1/2	953
LF/LD20-330	42-3/4	1112
LF/LD24--250, 300, -345, LF24-400 and LD24-200	40	1017