

**INSTALLATION INSTRUCTIONS FOR CRANKCASE HEATER KIT  
 USED ON ZG/ZC 036, 048, 060 PACKAGED UNITS**

**Shipping and Packing List**

**Package 1 of 1 contains:**

- 1- Crankcase heaters
- 1- Wire harness

**Bag assembly containing:**

- 1-Web bushing
- 1-Washer
- 1-Screw

Check packaging for shipping damage. Contact the last carrier immediately if any shipping damage is found.

**Application**

The crankcase heater prevents refrigerant from migrating to the compressor, condensing and mixing with oil when the unit is off.

Crankcase heaters are used as follows:

Unit	Voltage	Kit	
036	208/230	99W61	610195-01
036	460/380	99W62	610195-02
036	575	99W63	610195-03
048, 060	208/230	99W64	610195-04
048, 060	460/380	99W65	610195-05
048, 060	575	99W66	610195-06

**⚠ WARNING**

**Improper installation, adjustment, alteration, service or maintenance can cause property damage, personal injury or loss of life. Installation and service must be performed by a qualified installer, service agency or the gas supplier**

**⚠ IMPORTANT**

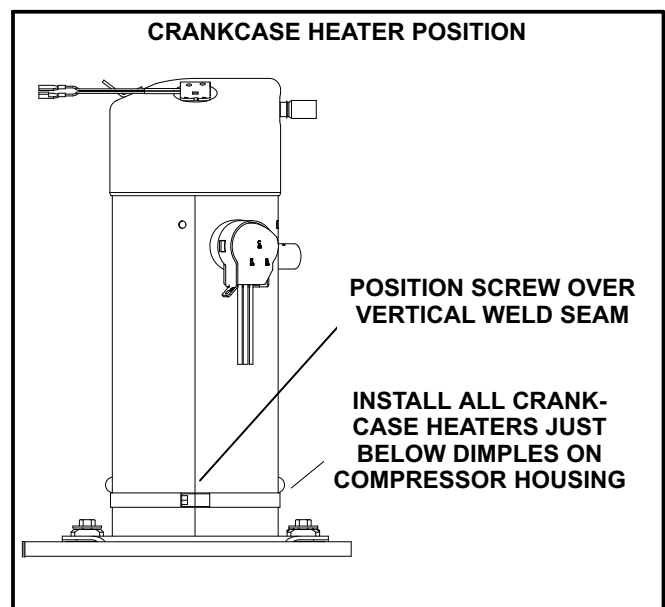
**Power wiring must be routed and secured away from hot copper piping to avoid melting wiring insulation.**

**Installation**

- 1- Disconnect all power to unit and open compressor access panel.
- 2- Position crankcase heater below dimples on compressors as shown in figure 1. Position belly-band screw over the vertical weld seam on the compressor. Tighten belly-band screw to secure in place.

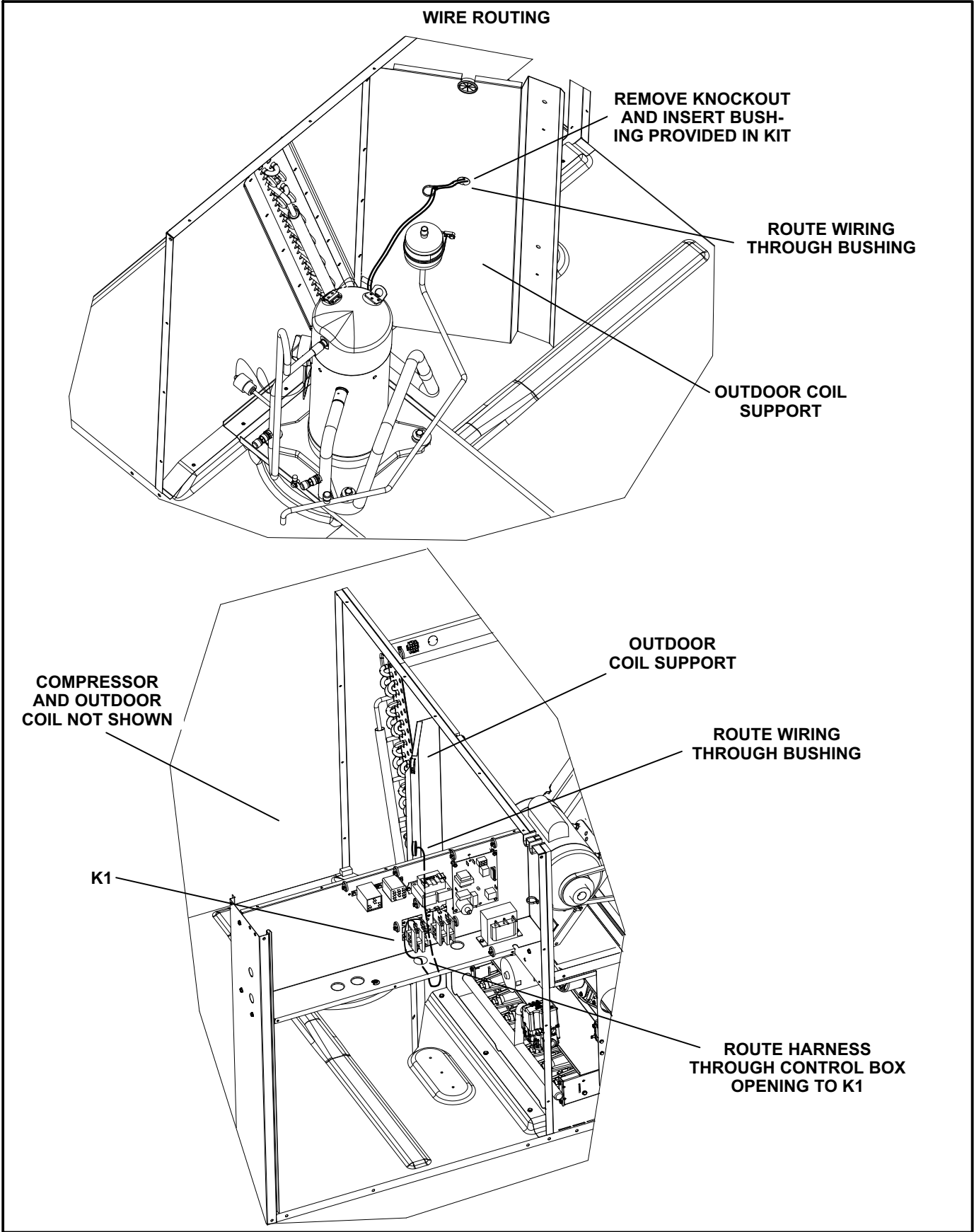
*Note - Tightening the belly-band screw over the compressor seam prevents damage to the heater wire.*

- 3- Remove the knockout located in the outdoor coil support. See figure 2. Insert the web bushing that is included in the bag assembly.
- 4- Route harness to control box as shown in figure 2.
- 5- Use markings on wires to connect harness as shown in figure 3. Also refer to unit wiring diagram.
- 6- Secure crankcase heater ground wires using screw and washer provided in kit. See figure 4

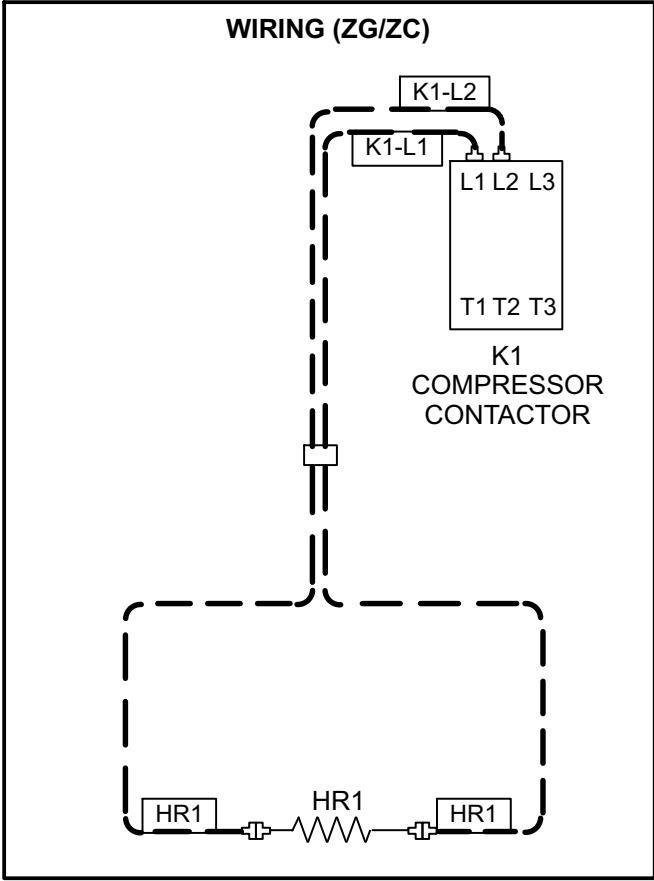


**FIGURE 1**

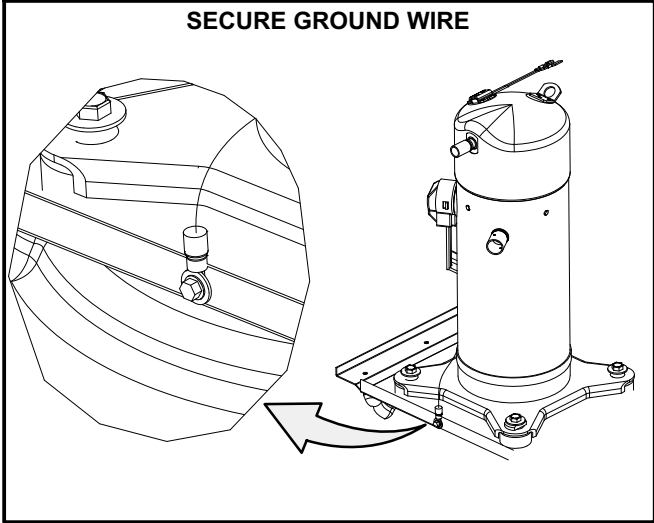




**FIGURE 2**



**FIGURE 3**



**FIGURE 4**