

**INSTALLATION INSTRUCTIONS FOR DRAIN PAN OVERFLOW SWITCH KIT
(610194-01; 99W59) USED WITH ZG/ZC/ZH 036, 048, 060 UNITS**

Shipping and Packing List

Package 1 of 1 contains:

1- Mounting bracket

Bag assembly containing:

1-Overflow (electronic) switch (S149)

3-Screw-in wire ties

1-Push-in wire tie

4-Screws

Application

The electronic overflow switch is used to interrupt cooling operation when excessive condensate collects in the drain pan. The overflow switch is wired in series with the Y1 thermostat circuit. The electronic condensate overflow switch contains low power consuming microelectronics. The logic circuit continuously samples the probes for water. If water is detected, the circuit determines if the condition is transient or permanent. If permanent, 24VAC power is interrupted to Y1 and unit compressor is de-energized. Once the condensate level drops below the set level, the switch will close and a Y1 thermostat demand will energize the compressor.

⚠ WARNING

Improper installation, adjustment, alteration, service or maintenance can cause property damage, personal injury or loss of life. Installation and service must be performed by a qualified installer, service agency or the gas supplier

Installation

- 1- Disconnect all electrical power to unit.
- 2- Remove panel covering the heat and blower sections.
- 3- Secure overflow switch to bracket. See figure 1.
- 4- Install bracket behind blower deck as shown in figure 2 and 3. Position bracket 1-1/2" from unit side panel. Secure bracket to blower deck with two screws.
- 5- Route wiring to control box as shown in figure 2.
- 6- Make wire connections as shown in figure 4.
- 7- Reinstall panels and restore power to unit.
- 8- Use instruction provided with sensor to adjust the height of the sensor on the bracket as needed.

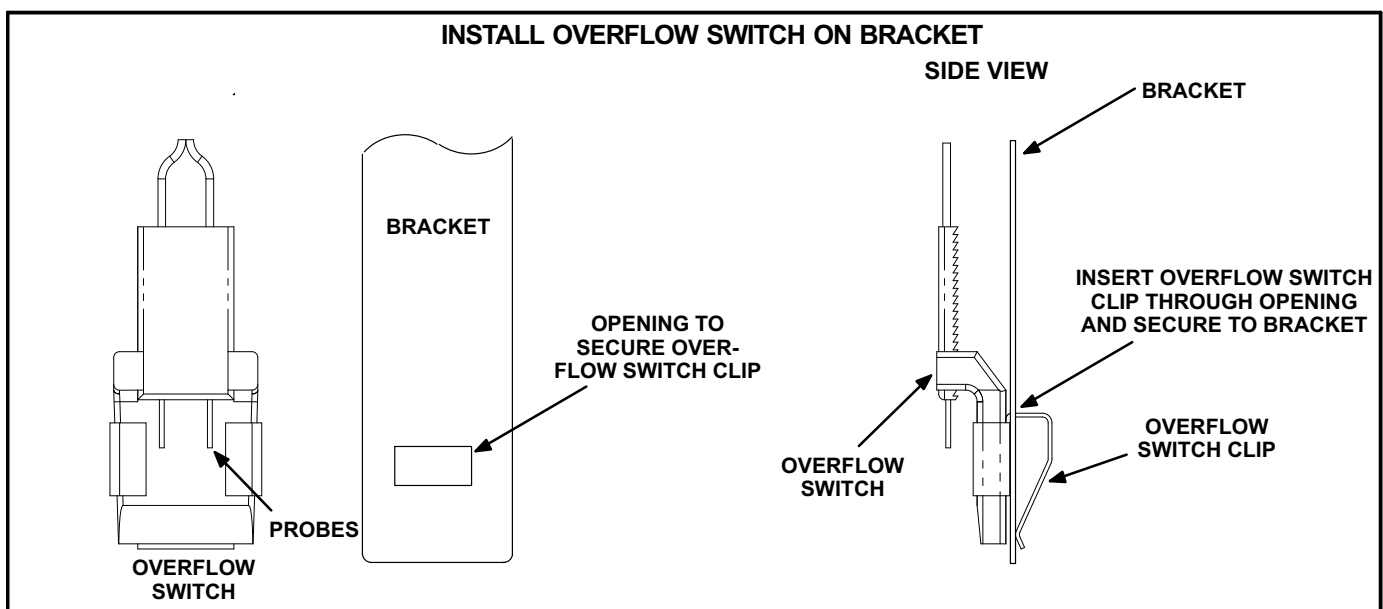


FIGURE 1



INSTALL ELECTRONIC OVERFLOW SWITCH IN UNIT

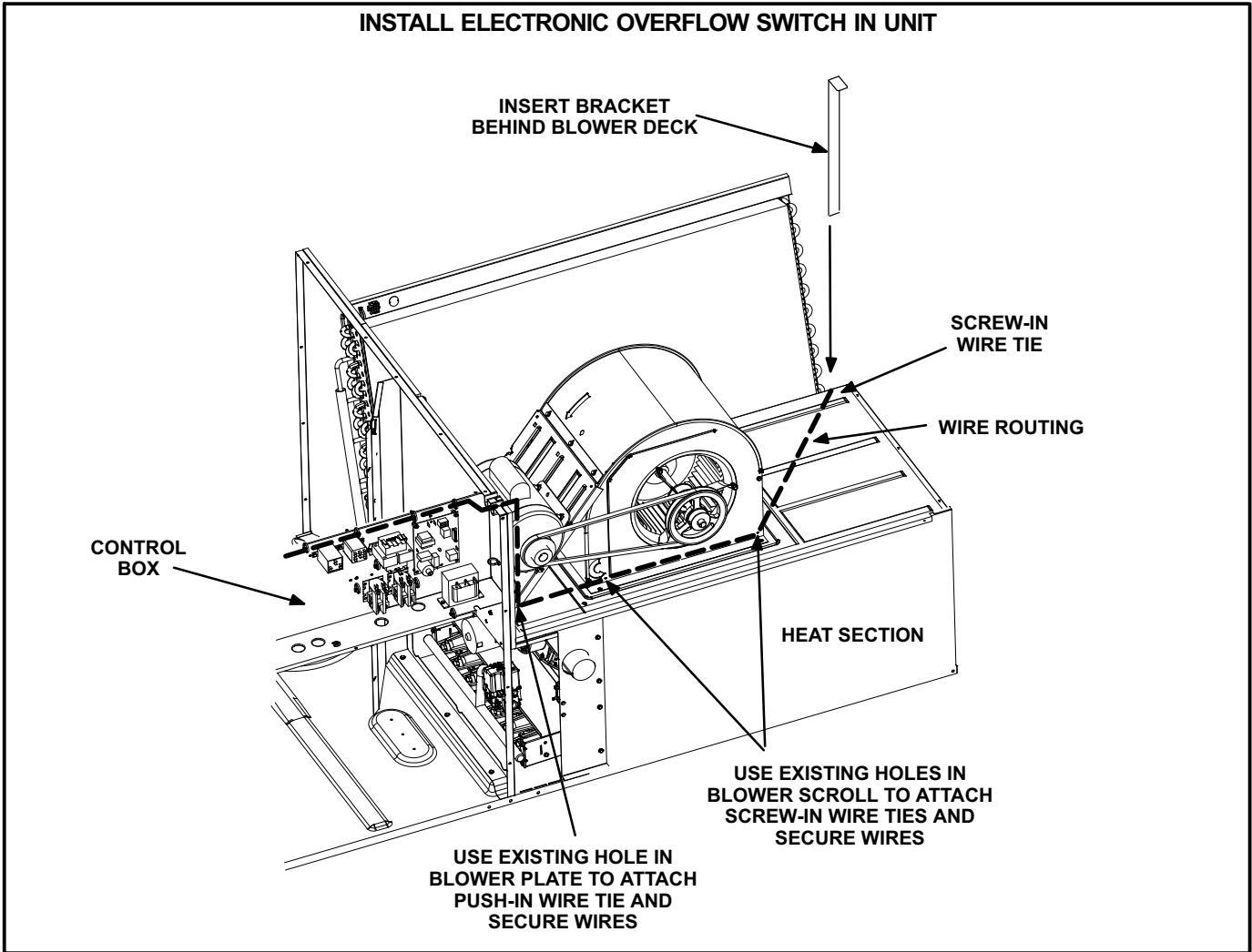


FIGURE 2

INSTALL OVERFLOW SWITCH IN UNIT

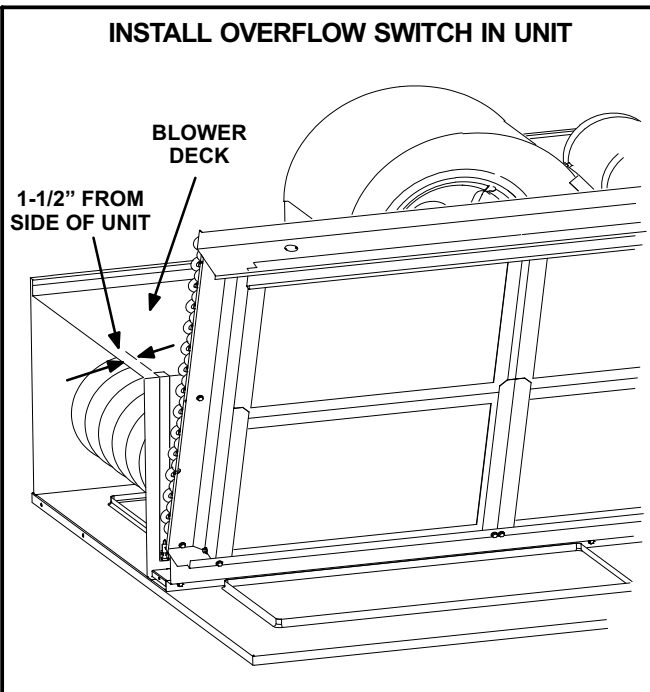
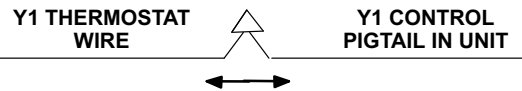


FIGURE 3

WIRING WITHOUT OVERFLOW SWITCH



WIRING WITH OVERFLOW SWITCH INSTALLED

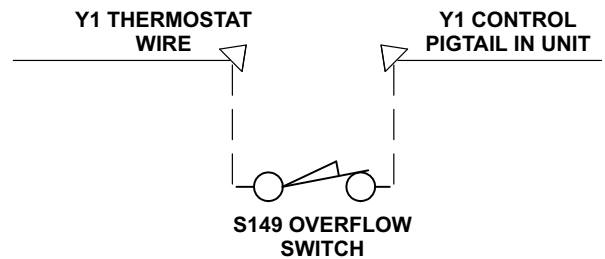


FIGURE 4

⚠ CAUTION

Danger of sharp metallic edges. Can cause injury. Take care when servicing unit to avoid accidental contact with sharp edges.