

**INSTALLATION INSTRUCTIONS FOR LOW AMBIENT KIT
 USED ON ZG/ZC/ZH 036, 048, 060 PACKAGED ROOFTOP UNITS**

Shipping and Packing List


41W33, & 41W34

Package 1 of 1 contains:


- 1- Pressure switch (S11)
 - 2- Wire harnesses
 - 1- Valve depressor tee
 - 1- Relay (K58)
 - 2- Dual terminals
- Bag assembly containing:
- 2- Screws
 - 1- Snap bushing

Application

ZG/ZC units use 99W67; 610195-07. ZH units use 99W68; 610195-08.


WARNING

Improper installation, adjustment, alteration, service or maintenance can cause property damage, personal injury or loss of life. Installation and service must be performed by a qualified installer, service agency or the gas supplier


CAUTION

Danger of sharp metallic edges. Can cause injury. Take care when servicing unit to avoid accidental contact with sharp edges.

The low ambient pressure switches cycle the outdoor fan while allowing compressor operation in the cooling cycle. This intermittent fan operation results in a high evaporating temperature which allows the system to operate without icing the evaporator coil and losing capacity. This kit is designed for use in ambient temperatures no lower than 0°F (-17.8°C) unless otherwise noted in the Engineering Handbook.

Install a belly-band style crankcase heater on compressors which don't have one or on compressors which don't have an internal heater.

Pressure Switch Installation

- 1- Disconnect power to unit. Open compressor access and control box panels.

01/13

- 2- Install valve depressor tee on liquid line pressure tap. See figure 1. Install pressure switch on pressure tap.
- 3- Check system for leaks.

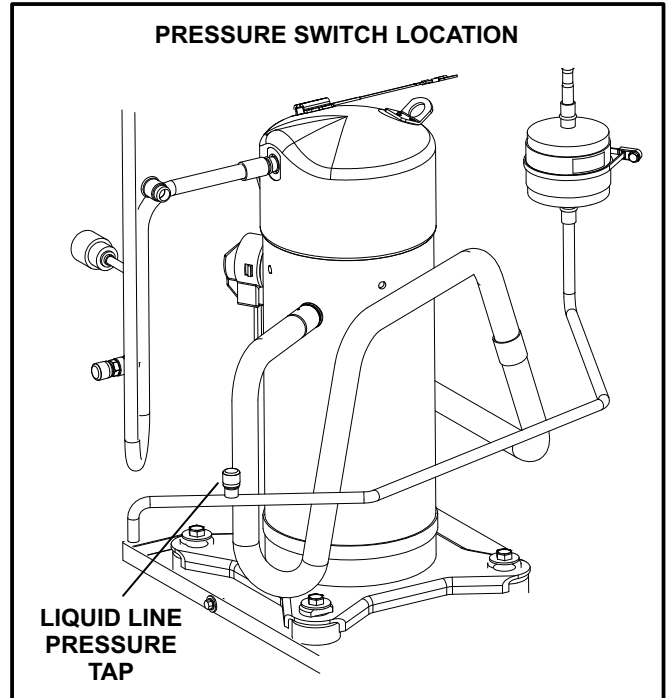


FIGURE 1

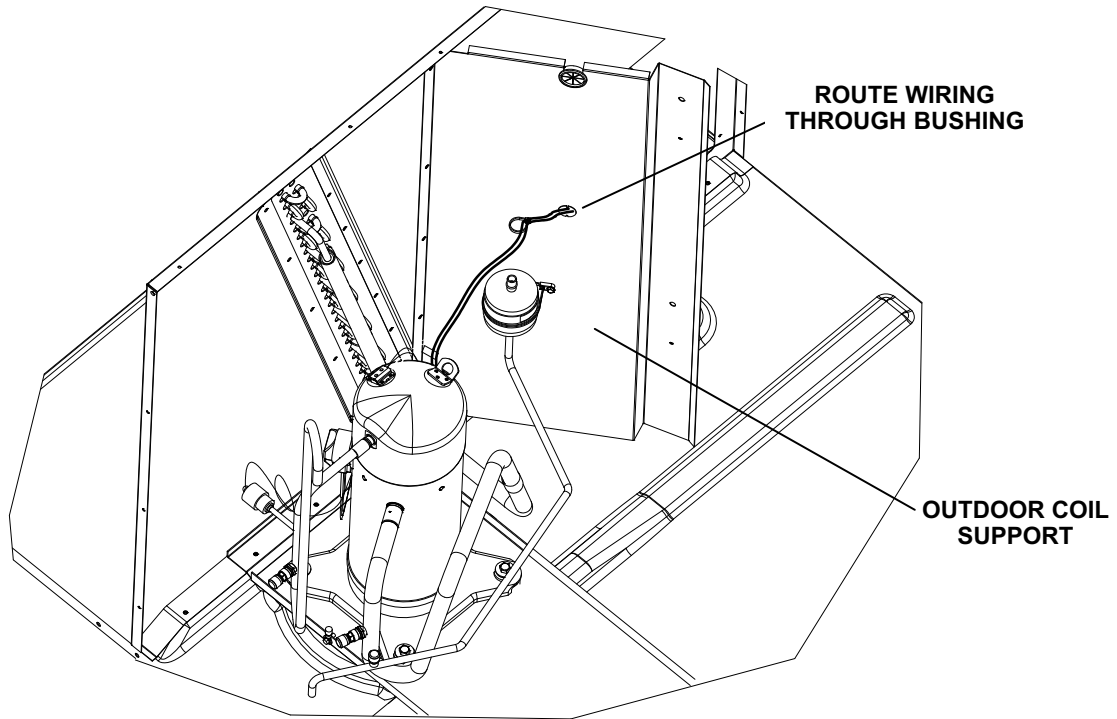
- 4- Determine harness appropriate for application by type of unit and markings on harness wires. Connect leads labeled S11 to pressure switch.
 - 5- Install snap bushing in outdoor coil support. See figure 2. Route harness as shown in figure 2.
 - 6- *ZH Units Only* - Install the kit relay in location shown in figure 3. Secure with screws provided in kit.
- *Caution - Pressure switch is not rated for applications above 240V. Relay must be used in high voltage applications.
- 7- Make wiring connections as follows:

ZG/ZC	Y, P Voltage	Figure 4
ZG/ZC	G, J, M Voltage	Figure 5
ZH	Y, P Voltage	Figure 6
ZH	G, J, M Voltage	Figure 7
 - 8- Bundle wiring and secure wiring away from unit components.
 - 9- Restore power to unit and close access panels.

507093-01



ROUTE WIRING



**COMPRESSOR
AND OUTDOOR
COIL NOT SHOWN**

K1

**OUTDOOR
COIL SUPPORT**

**ROUTE WIRING
THROUGH BUSHING**

**ROUTE HARNESS
THROUGH CONTROL BOX
OPENING TO K1**

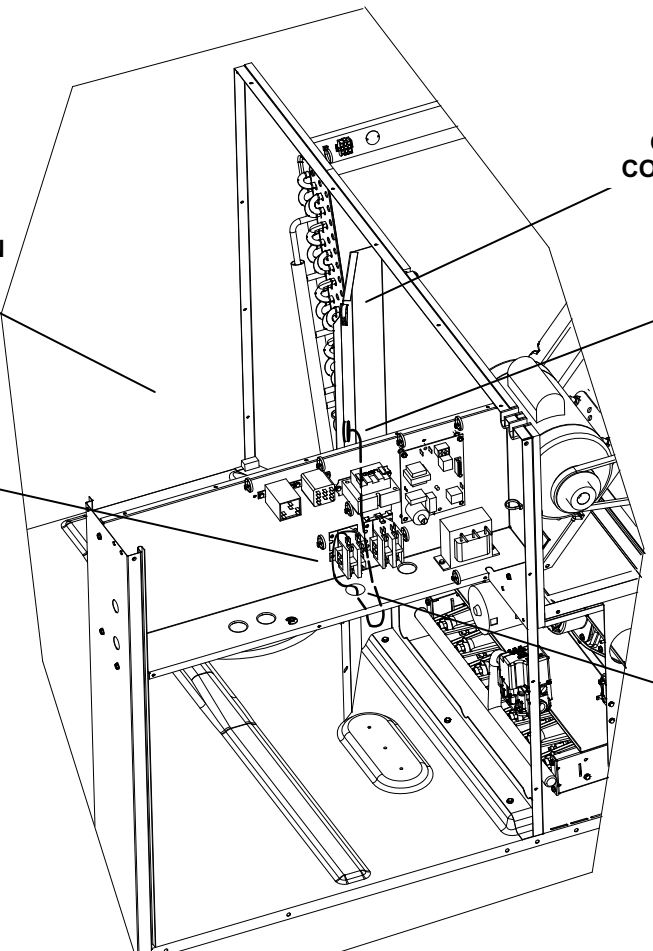


FIGURE 2

K58 RELAY LOCATION - ZH UNITS ONLY

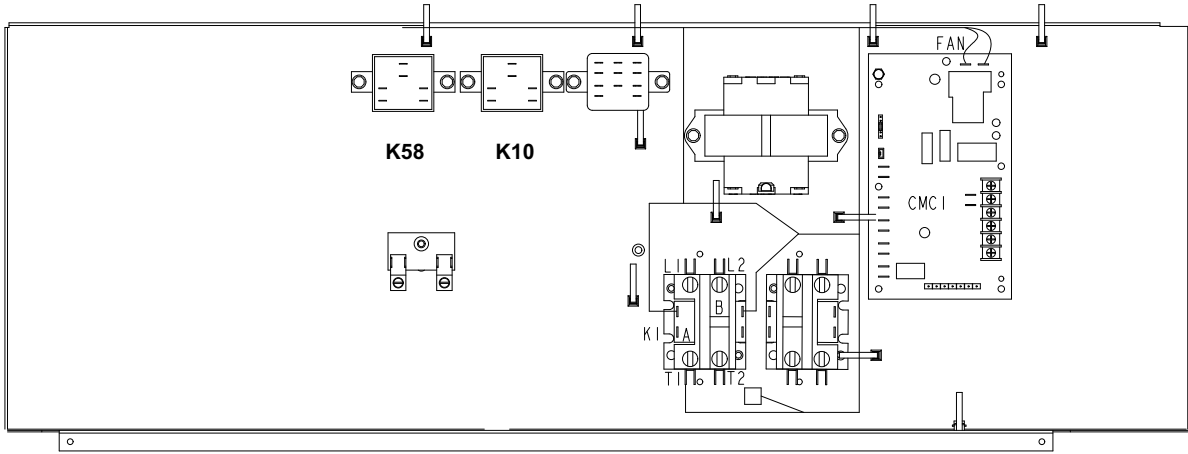


FIGURE 3

WIRING - ZG/ZC Y, P VOLT UNITS

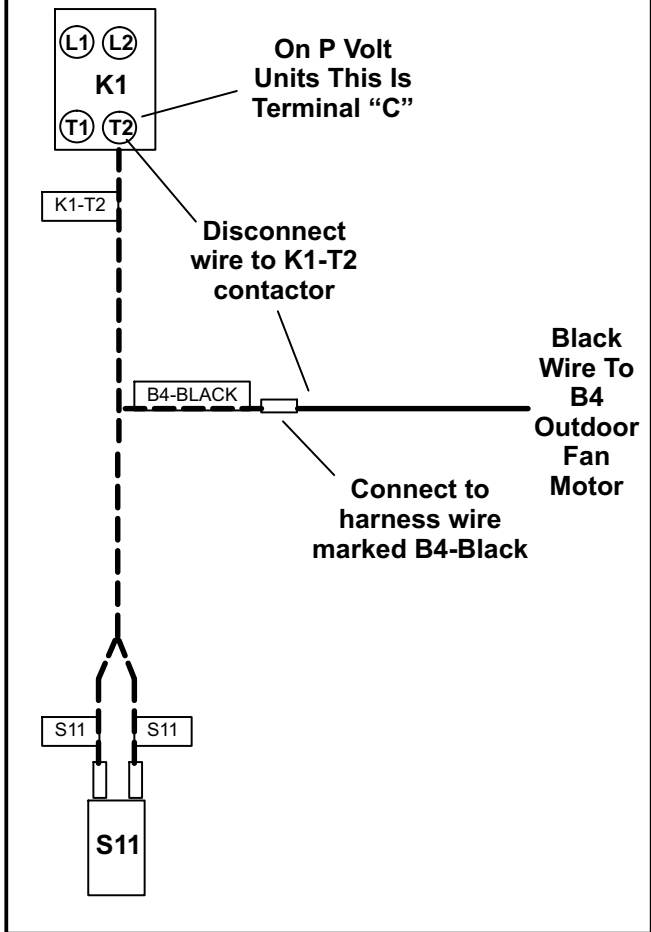


FIGURE 4

WIRING - ZG/ZC G, J, M VOLT UNITS

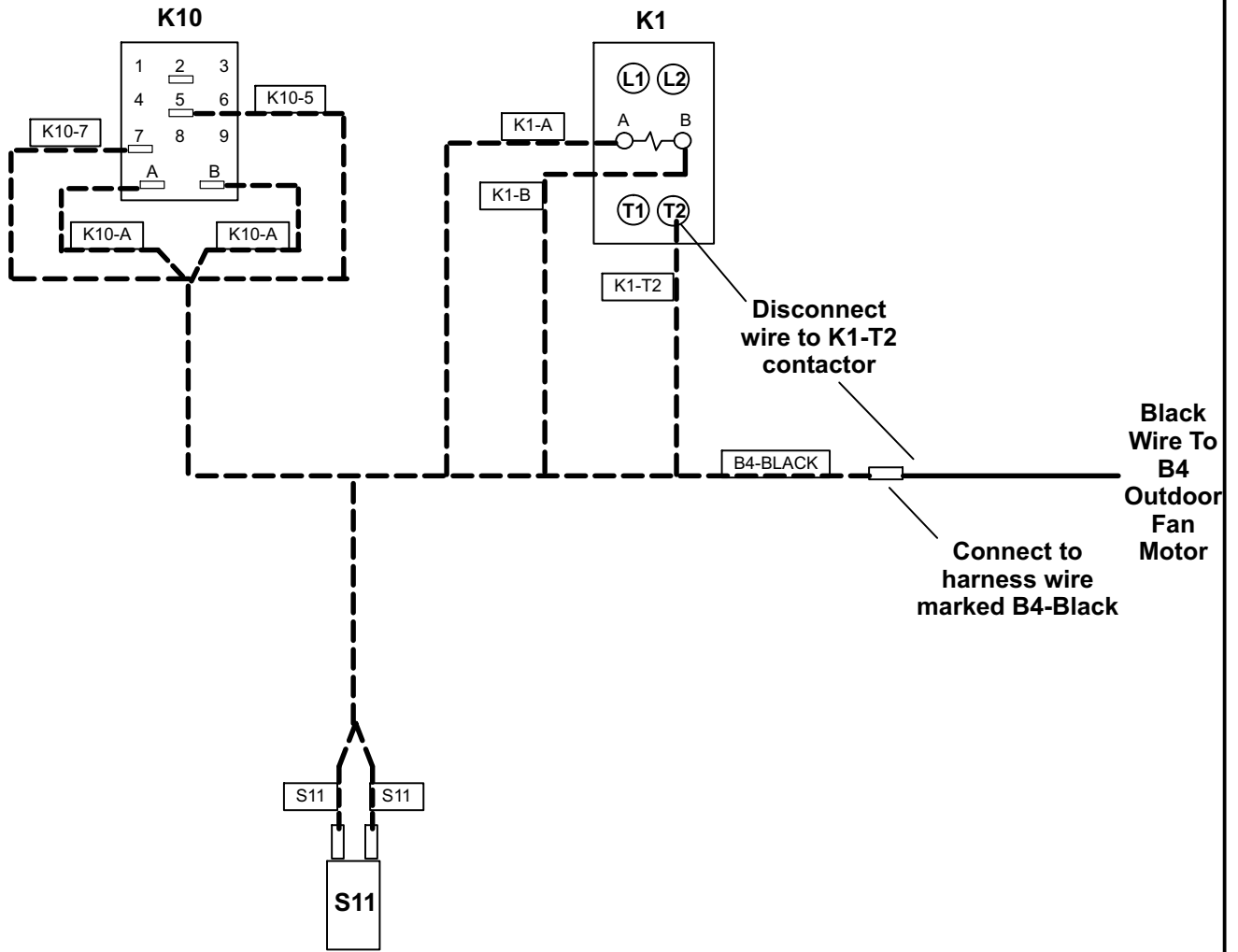


FIGURE 5

WIRING - ZH Y, P VOLT UNITS

**Remove the white wires marked CMC1-O.
Install dual terminals on CMC1-O terminals.
Reattach the white wires and the kit harness
wires marked CMC1-O on the dual terminals.**

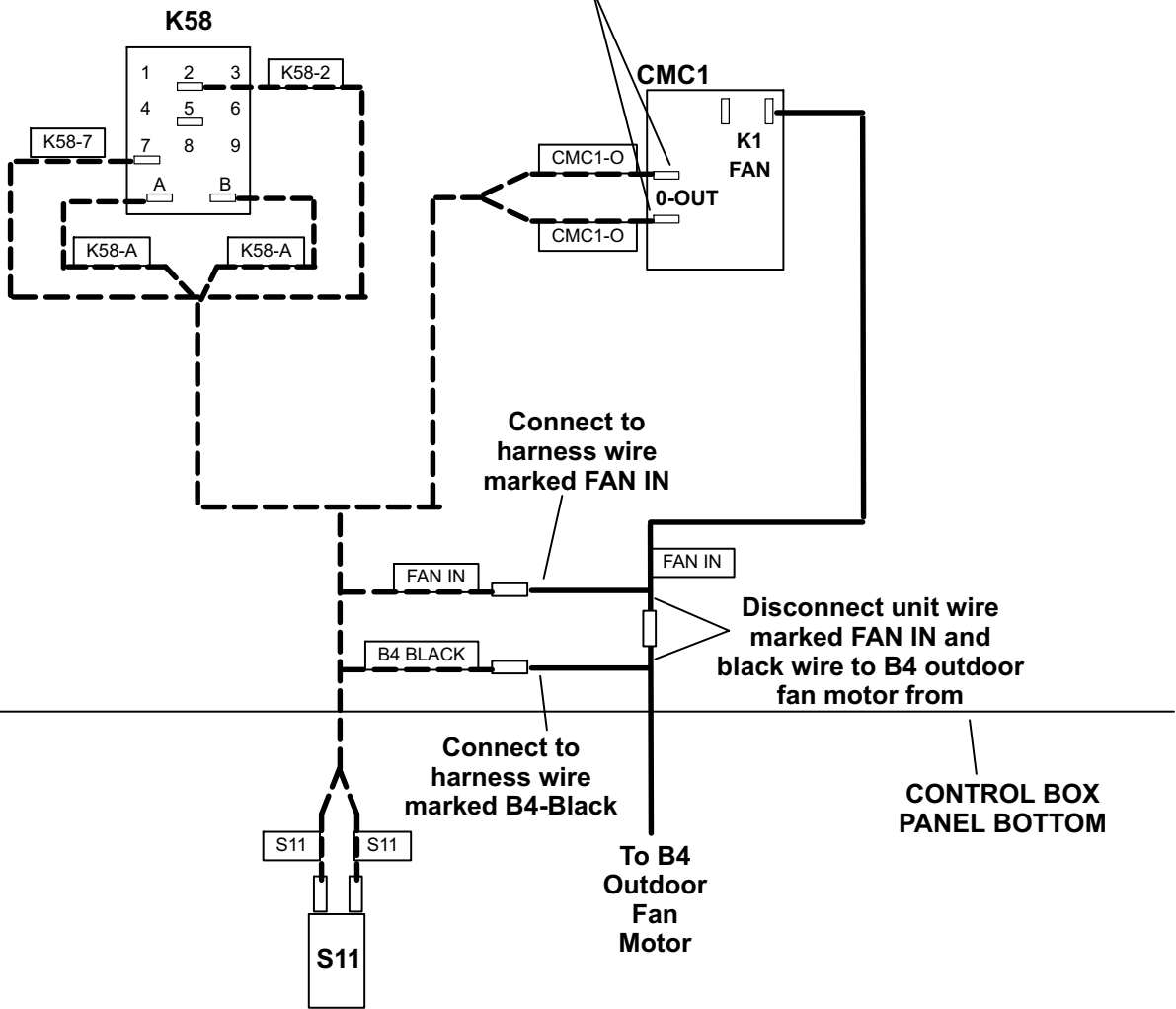


FIGURE 6

WIRING - ZH G, J, M VOLT UNITS

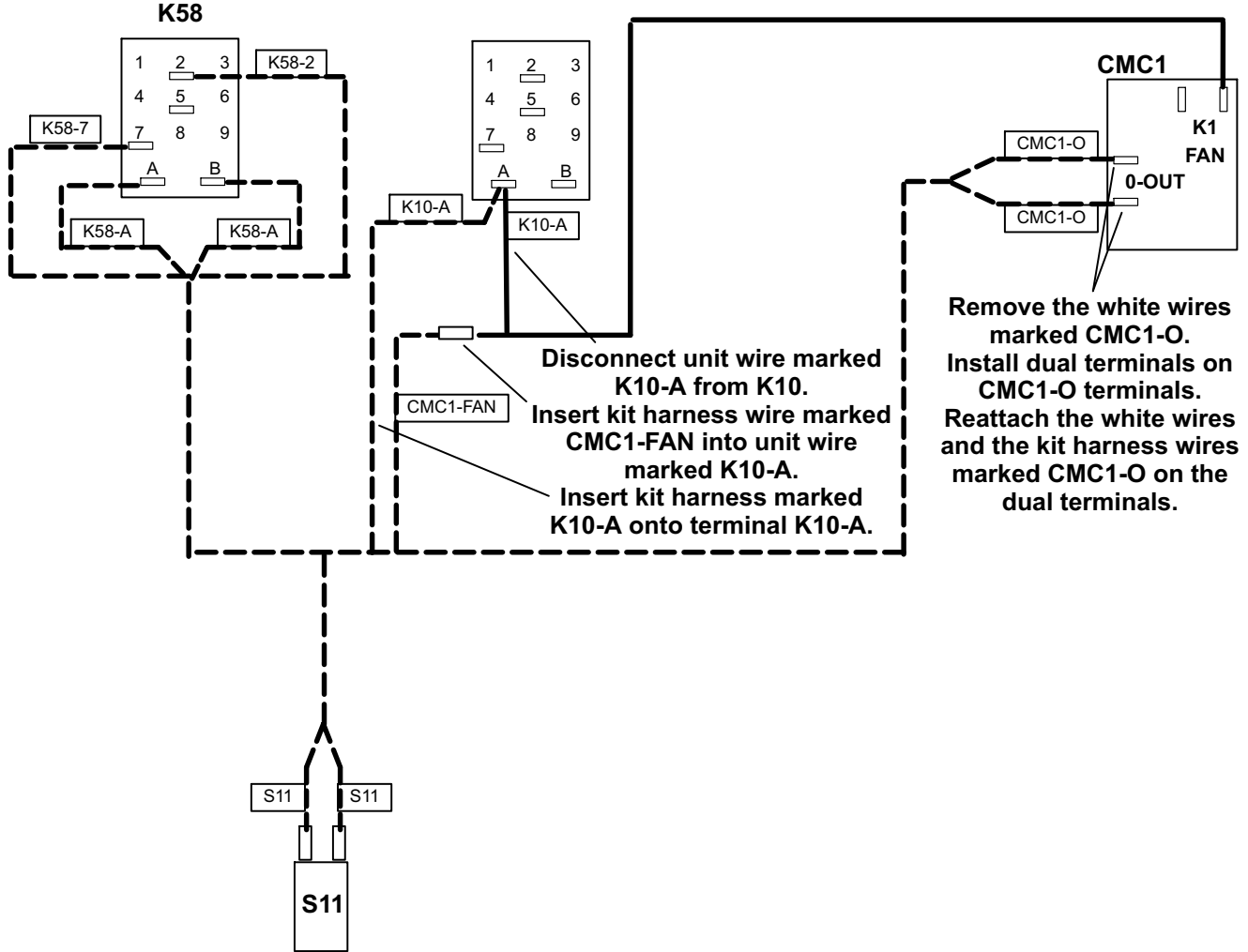


FIGURE 7