

# INSTALLATION INSTRUCTIONS

## ⚠ WARNING

Improper installation, adjustment, alteration, service or maintenance can cause property damage, personal injury or loss of life. Installation and service must be performed by a qualified installer, service agency or the gas supplier

## KHA092 (7-1/2 TON) KHA102 (8-1/2 TON) KHA120 (10 TON) KHA150 (12 TON)

### RETAIN THESE INSTRUCTIONS FOR FUTURE REFERENCE

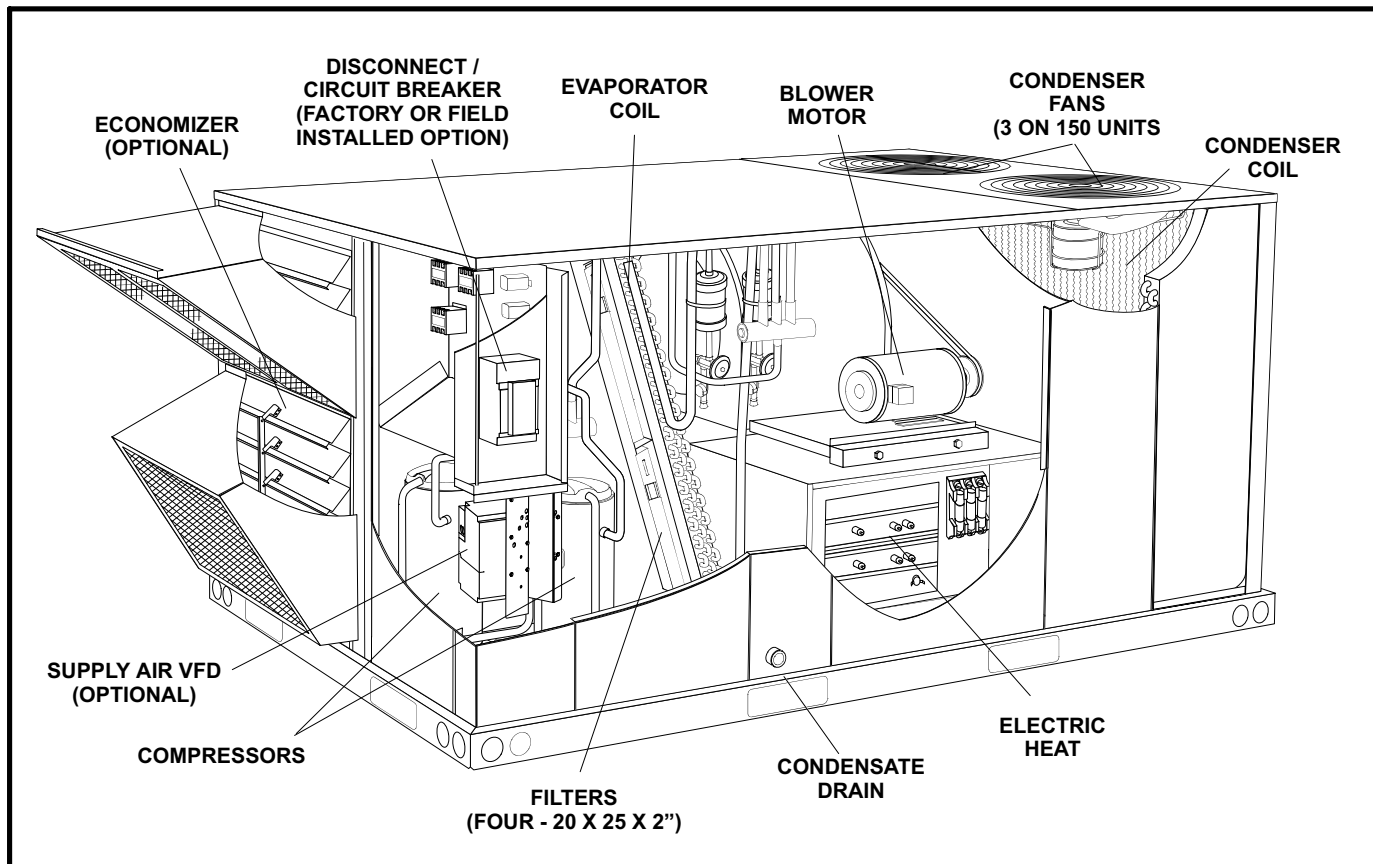
#### Table Of Contents

Dimensions .....	Page 2
Shipping and Packing List .....	Page 4
General .....	Page 4
Requirements .....	Page 4
Unit Support .....	Page 5
Duct Connection .....	Page 5
Rigging Unit For Lifting .....	Page 6
Condensate Drains .....	Page 6

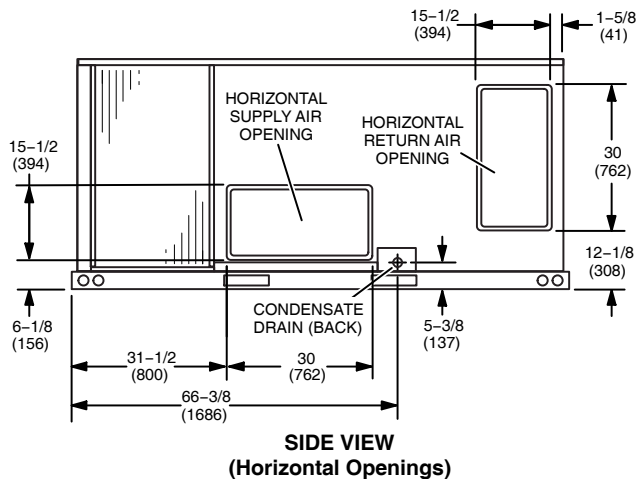
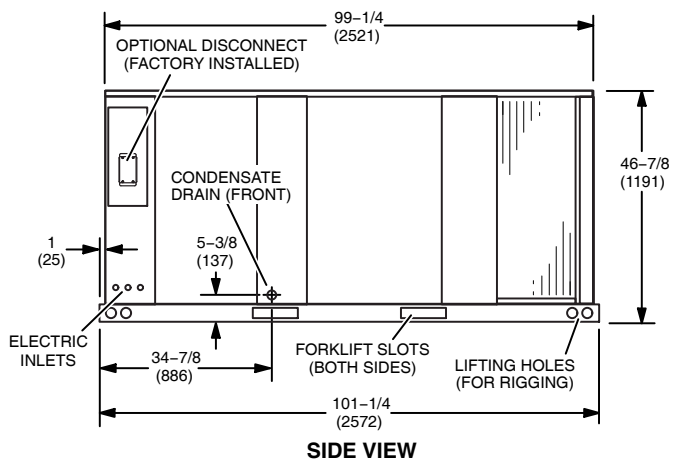
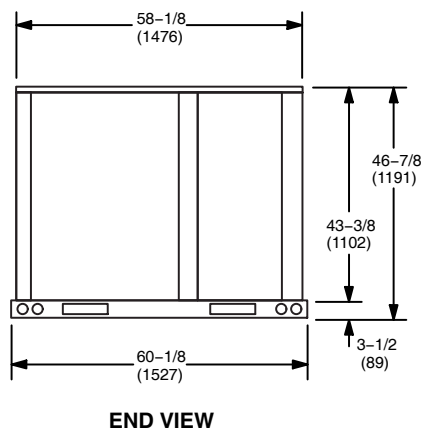
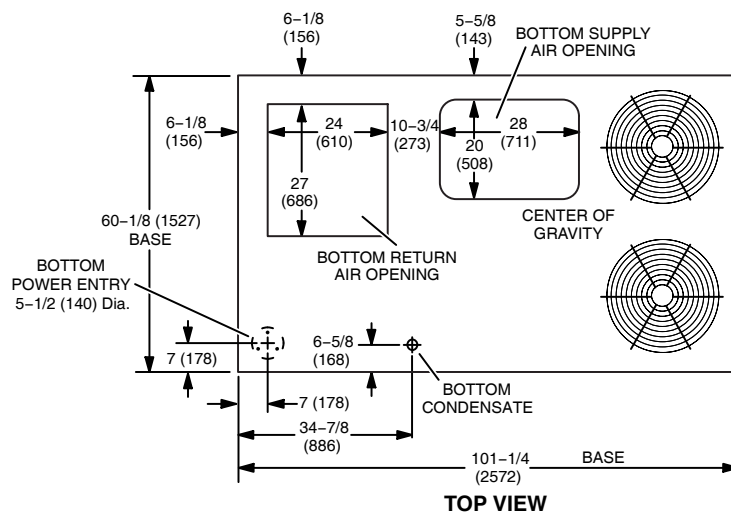
HEAT PUMP PACKAGED UNITS  
506914-01  
4/2012  
Supersedes 1/2012

Electrical Connections .....	Page 8
Unit Power-Up .....	Page 8
Blower Operation and Adjustments .....	Page 9
Heating Start-Up .....	Page 15
Cooling Start-Up .....	Page 15
Defrost Control Board .....	Page 17
Multi-Stage Air Volume (MSAV™) Start-Up .....	Page 18
Service .....	Page 20

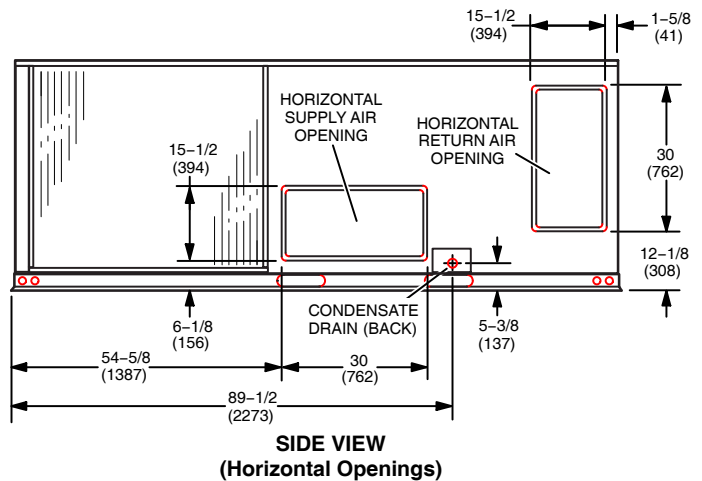
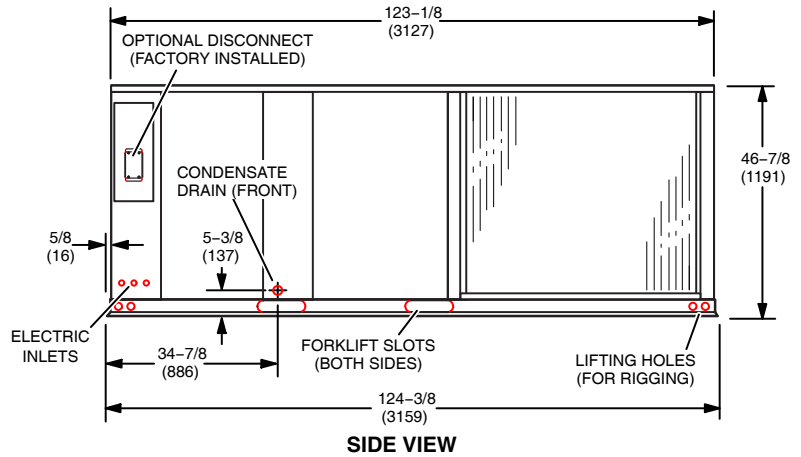
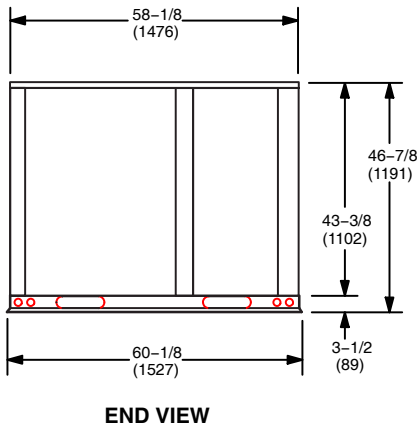
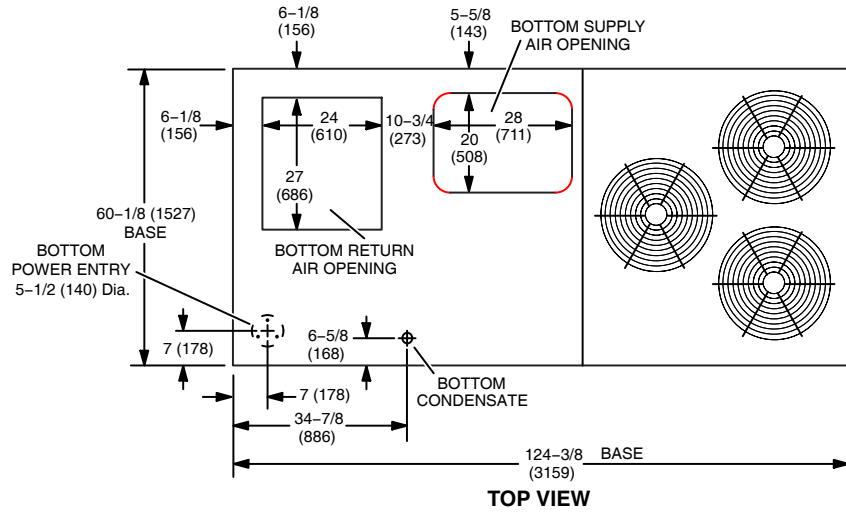
### KHA092, 102, 120 & 150 PARTS ARRANGEMENT



**KHA092, 102, & 120 DIMENSIONS**



# KHA150 DIMENSIONS



## Shipping and Packing List

**Package 1 of 1 contains:**

1- Assembled unit

Check unit for shipping damage. Receiving party should contact last carrier immediately if shipping damage is found.

## General

These instructions are intended as a general guide and do not supersede local codes in any way. Authorities having jurisdiction should be consulted before installation.

KHA units have 7-1/2, 8-1/2, 10, and 12-1/2 ton cooling capacities. Optional electric heat is available.

Optional Multi-Stage Air Volume (MSAV™) units are available. The blower will operate at lower speeds when cooling demand is low and increase to higher speeds when cooling demand is high. Refer to MSAV™ Start-Up section.

Availability of units and options varies by brand.

## Requirements

The KHA unit is ETL/CSA certified for outdoor installations only at the clearances to combustible materials listed on unit nameplate and in figure 1.

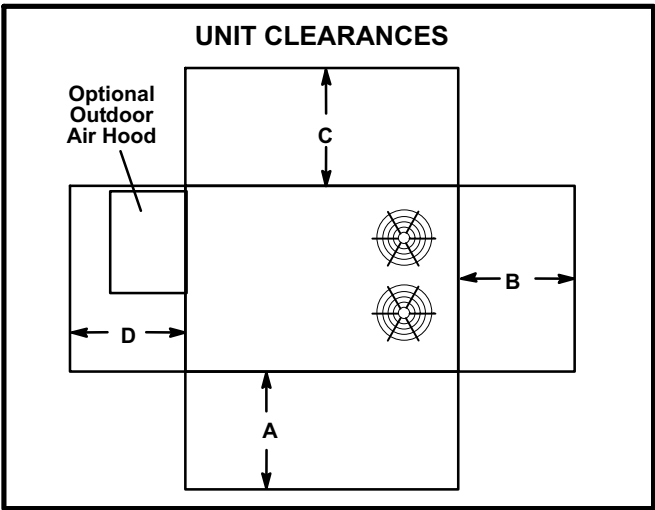
Installation of KHA heat pumps must conform with standards in National Fire Protection Association (NFPA) "Standard for Installation of Air Conditioning and Ventilating Systems NFPA No. 90A," "Standard for Installation of Residence Type Warm Air Heating and Air conditioning Systems NFPA No. 90B," local municipal building codes and manufacturer's installation instructions.

▲ NOTICE

**Roof Damage!**  
 This system contains both refrigerant and oil. Some rubber roofing material may absorb oil, causing the rubber to swell. Bubbles in the rubber roofing material can cause leaks. Protect the roof surface to avoid exposure to refrigerant and oil during service and installation. Failure to follow this notice could result in damage to roof surface.

The National Electric Code (ANSI/NFPA No. 70-1984) is available from:

National Fire Protection Association  
 1 Batterymarch Park  
 PO Box 9101  
 Quincy, MA 02269-9101



**FIGURE 1**

<sup>1</sup> Unit Clearance	A in.(mm)	B in.(mm)	C in.(mm)	D in.(mm)	Top Clearance
Service Clearance	60 (1524)	36 (914)	36 (914)	60 (914)	Unob- structed
Minimum Opera- tion Clearance	36 (914)	36 (914)	36 (914)	36 (914)	Unob- structed

Note - Entire perimeter of unit base requires support when elevated above mounting surface.

<sup>1</sup> **Service Clearance** - Required for removal of serviceable parts.  
**Minimum Operation Clearance** - Required clearance for proper unit operation.

The KHA unit is ETL/CSA certified as a heat pump with cooling and with or without auxiliary electric heat for non-residential use only at the clearances to combustible materials as listed on the unit nameplate and in figure 1.

Installation of ETL/CSA certified units must conform with current standard C273.5 "Installation Requirements for Heat Pumps" and applicable local codes. Authorities having jurisdiction should be consulted before installation.

Use of this unit as a construction heater or air conditioner is not recommended during any phase of construction. Very low return air temperatures, harmful vapors and operation of the unit with clogged or misplaced filters will damage the unit.

If this unit has been used for heating or cooling of buildings or structures under construction, the following conditions must be met or the warranty will be void:

- A room thermostat must control the unit. The use of fixed jumpers that will provide continuous heating or cooling is not allowed.
- A pre-filter must be installed at the entry to the return air duct.
- The return air duct must be provided and sealed to the unit.
- Return air temperature range between 55°F (13°C) and 80°F (27°C) must be maintained.

- Air filters must be replaced and pre-filter must be removed upon construction completion.
- The unit components, duct system, air filters and evaporator coil must be thoroughly cleaned following final construction clean-up.
- The unit operating conditions (including airflow, cooling operation, and heating operation) must be verified according to these installation instructions.

<b>⚠ WARNING</b>	
	<b>Electric shock hazard and danger of explosion. Can cause injury, death or product or property damage. Turn off electrical power to unit before performing any maintenance or servicing operations on the unit.</b>

<b>⚠ CAUTION</b>	
<b>Danger of sharp metallic edges. Can cause injury. Take care when servicing unit to avoid accidental contact with sharp edges.</b>	

<b>⚠ IMPORTANT</b>	
<b>The Clean Air Act of 1990 bans the intentional venting of refrigerant (CFC's and HCFC's) as of July 1, 1992. Approved methods of recovery, recycling or reclaiming must be followed. Fines and/or incarceration may be levied for non-compliance.</b>	

### Unit Support

*NOTE - Securely fasten roof frame to roof per local codes.*

#### **A-Downflow Discharge Application**

##### **Roof Mounting with C1CURB**

- 1- The C1CURB roof mounting frame must be installed, flashed and sealed in accordance with the instructions provided with the frame.
- 2- The C1CURB roof mounting frame should be square and level to 1/16" per linear foot (5mm per linear meter) in any direction.
- 3- Duct must be attached to the roof mounting frame and not to the unit; supply and return plenums must be installed before setting the unit.

#### **Installer's Roof Mounting Frame**

Many types of roof frames can be used to install the unit, depending upon different roof structures. Items to keep in mind when using the building frame or supports are:

- 1- The unit base is fully enclosed and insulated, so an enclosed frame is not required.
- 2- The frames or supports must be constructed with non-combustible materials and should be square and level to 1/16" per linear foot (5mm per linear meter) in any direction.
- 3- Frame or supports must be high enough to prevent any form of moisture from entering unit. Recommended minimum frame height is 14" (356mm).
- 4- Duct must be attached to the roof mounting frame and not to the unit. Supply and return plenums must be installed before setting the unit.
- 5- Units require support along all four sides of unit base. Supports must be constructed of steel or suitably treated wood materials.

*NOTE-When installing unit on a combustible surface for downflow discharge applications, the C1CURB roof mounting frame is required.*

#### **B-Horizontal Discharge Applications**

- 1- Units installed in horizontal airflow applications must use a horizontal conversion kit (K1HECK00).
- 2- Specified installation clearances must be maintained when installing units. Refer to figure 1.
- 3- Top of support slab should be at least 4" (102mm) above the finished grade and located so no run-off water from higher ground can collect around the unit.
- 4- Units require support along all four sides of unit base. Supports must be constructed of steel or suitably treated wood materials.

### Duct Connection

All exterior ducts, joints, and openings in roof or building walls must be insulated and weatherproofed with flashing and sealing compounds in accordance with applicable codes. Any duct passing through an unconditioned space must be insulated.

<b>⚠ CAUTION</b>	
<b>In downflow applications, do not drill or punch holes in base of unit. Leaking in roof may occur if unit base is punctured.</b>	

## Rigging Unit For Lifting

- 1- Detach wooden base protection before rigging.
- 2- Connect rigging to the unit base using both holes in each corner. See figure 2.
- 3- All panels must be in place for rigging.
- 4- Place field-provided H-style pick in place just above top edge of unit. Frame must be of adequate strength and length. (H-style pick prevents damage to unit.)

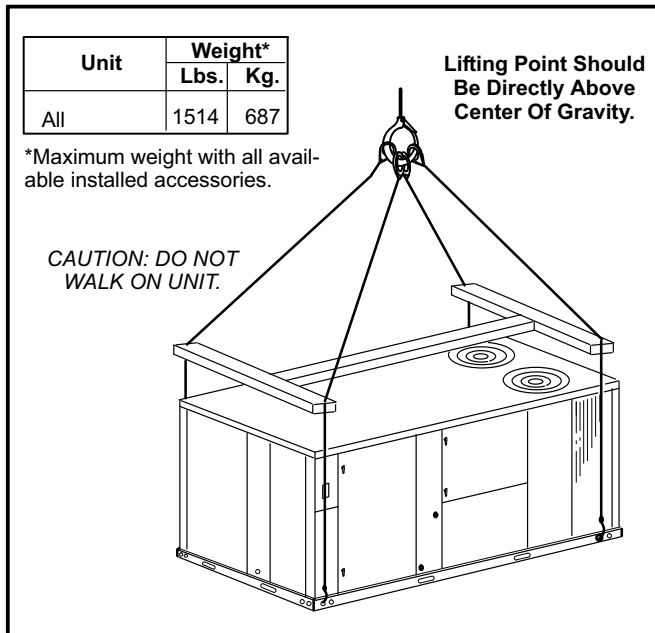


FIGURE 2

## Condensate Drains

Make drain connection to the 1" N.P.T. drain coupling provided on unit.

*Note - The drain pan is made with a glass reinforced engineered plastic capable of withstanding typical joint torque but can be damaged with excessive force. Tighten pipe nipple hand tight and turn an additional quarter turn.*

A trap must be installed between drain connection and an open vent for proper condensate removal. See figure 3 or 4. It is sometimes acceptable to drain condensate onto the roof or grade; however, a tee should be fitted to the trap to direct condensate downward. The condensate line must be vented. Check local codes concerning condensate disposal. Refer to pages 2 and 3 for condensate drain location.

Units are shipped with the drain coupling facing the front of the unit. Condensate can be drained from the back or bottom of the unit with the following modifications. The unit can be installed in either downflow or horizontal air discharge regardless of condensate drain location.

### Rear Drain Connection

- 1- Remove heat access door. See figure 5.
- 2- Remove filter access door. Refer to figure 5.
- 3- Remove eight screws holding condensate drain mullion and remove mullion.

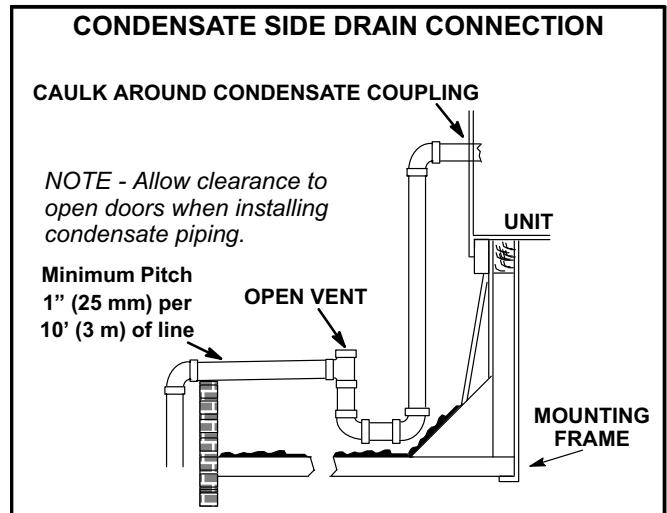


FIGURE 3

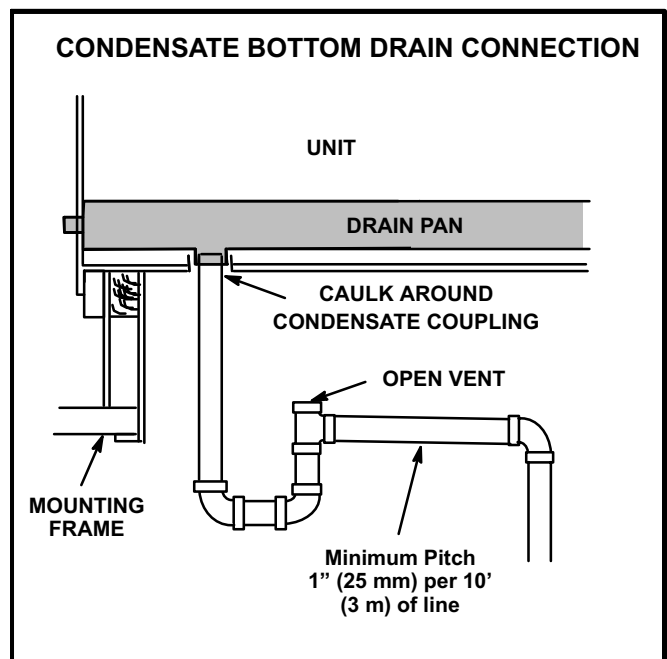
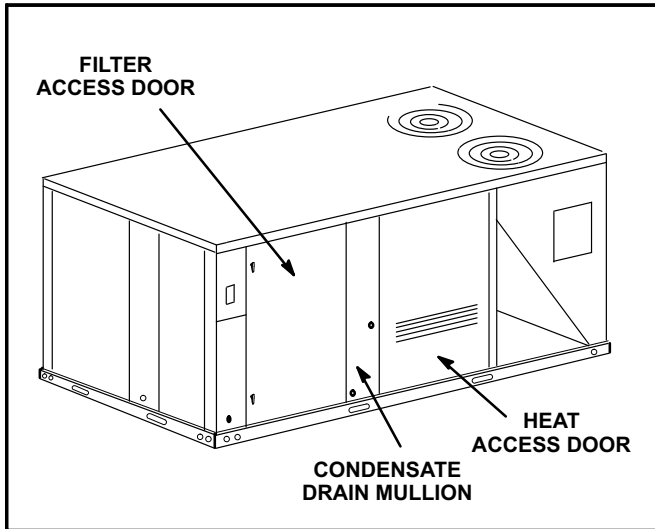
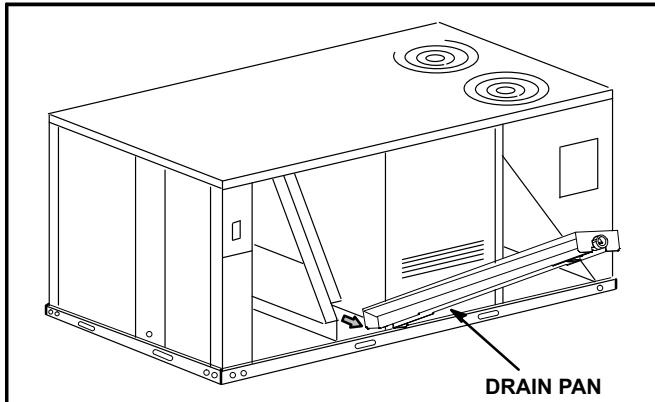


FIGURE 4



**FIGURE 5**

- 4- Lift front edge of the drain pan (to clear bottom drain plug) and slide drain pan out of unit. See figure 6.

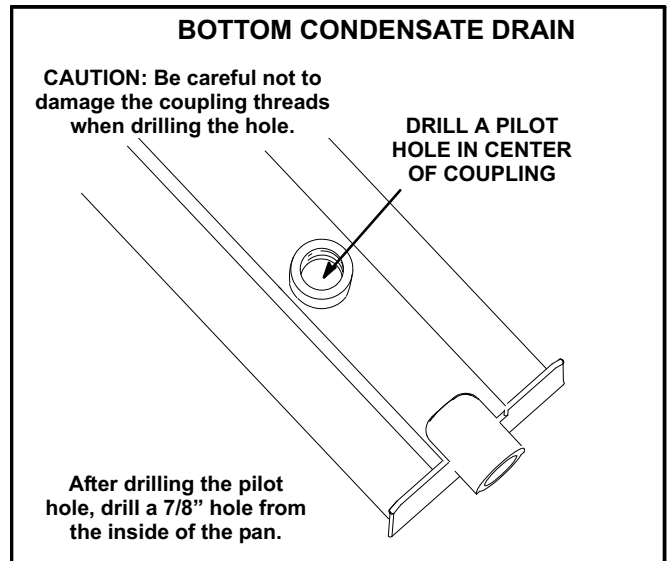


**FIGURE 6**

- 5- Make sure the cap over the unit bottom drain hole is secure.
- 6- Rotate the drain pan until the downward slope is toward the back of the unit. Slide the drain pan back into the unit. Be careful not to dislodge the cap over the bottom drain hole.
- 7- From the back side of the unit, pull the drain pan coupling through the rear condensate opening.
- 8- Replace the condensate drain mullion and reinstall eight screws.
- 9- Reinstall access doors.

### Bottom Drain Connection

- 1- Remove heat access door. See figure 5.
- 2- Remove filter access door. Refer to figure 5.
- 3- Remove eight screws holding condensate drain mullion and remove mullion.
- 4- Lift front edge of the drain pan (to clear bottom drain plug) and slide drain pan out of unit. See figure 6.
- 5- Turn the drain pan upside down and drill a pilot hole through the bottom of the drain pan in the center of the coupling. See figure 7.



**FIGURE 7**

- 6- From the inside of the pan, use a Vari-Bit® bit to enlarge the hole to 7/8". Do not damage coupling threads.
- 7- Remove the cap over the unit bottom drain hole.
- 8- Slide the drain pan back into the unit.
- 9- From the back side of the unit, pull the drain pan coupling through the rear condensate opening.
- 10- From the front side of the unit, move the drain pan until the bottom coupling settles into the unit bottom drain opening. Once in place, check to make sure the coupling is still positioned through the rear condensate drain hole.
- 11- Use a field-provided 1" plug to seal side drain connection.
- 12- Replace the condensate drain mullion and reinstall eight screws.
- 13- Reinstall access doors.

## Electrical Connections

### POWER SUPPLY

Do not apply power or close disconnect switch until installation is complete. Refer to start-up directions.

Refer to unit nameplate for minimum circuit ampacity and maximum fuse size.

- 1- 230,460,575 volt units are factory wired. **For 208V supply**, disconnect the pink wire (230V) at all control power transformer(s). Reconnect the pink wire to terminal marked 208 on power transformer(s). Tape the exposed end of the 230V pink wire.
- 2- Route power through the bottom power entry area and connect to L1, L2, and L3 on the bottom of F4 in the control box. Route power to TB2 on units equipped with electric heat. Route power to S48 disconnect switch when the option is factory-installed. See unit wiring diagram.
- 3- Connect separate 120v wiring to optional GFCI outlet pigtails.

### CONTROL WIRING

#### A-Thermostat Location

Room thermostat mounts vertically on a standard 2" X 4" handy box or on any non-conductive flat surface.

Locate thermostat approximately 5 feet (1524 mm) above the floor in an area with good air circulation at average temperature. Avoid locating the room thermostat where it might be affected by:

- drafts or dead spots behind doors and in corners
- hot or cold air from ducts
- radiant heat from sun or appliances
- concealed pipes and chimneys

**IMPORTANT** - Unless field thermostat wires are rated for maximum unit voltage, they must be routed away from line voltage wiring.

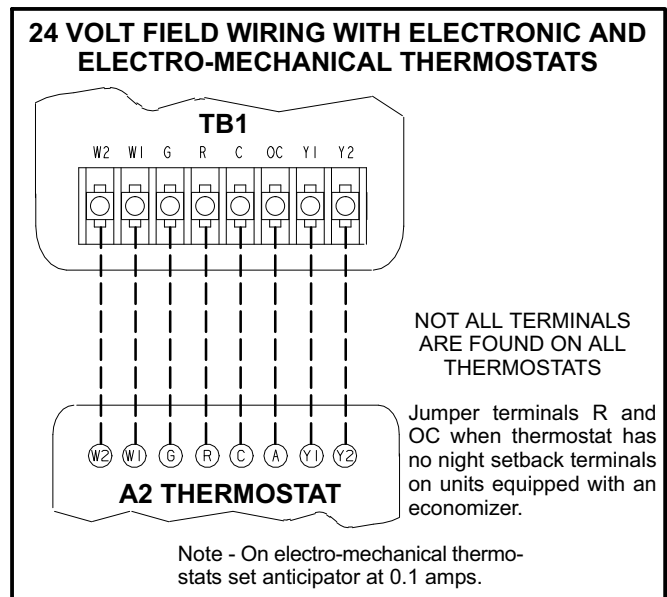
#### B-Control Wiring

- 1- Route thermostat cable or wires from subbase to unit control box (refer to unit dimensions to locate bottom and side power entry).

**IMPORTANT** - Unless field thermostat wires are rated for maximum unit voltage, they must be routed away from line voltage wiring. Use wire ties located near the front of the control section to secure thermostat cable.

Use 18 AWG wire for all applications using remotely installed electro-mechanical and electronic thermostats.

- 2- Install thermostat assembly in accordance with instructions provided with thermostat.
- 3- Connect thermostat wiring to TB1 terminal board on the lower side of the controls hat section. Wire as shown in figure 8 for electro-mechanical and electronic thermostats. If using other temperature control devices or energy management systems see instructions and wiring diagram provided by manufacturer.



**FIGURE 8**

**IMPORTANT**-Terminal connections at the wall plate or subbase must be made securely. Loose control wire connections may allow unit to operate but not with proper response to room demand.

## Unit Power-Up

### A-General

- 1- Make sure that unit is installed in accordance with the installation instructions and applicable codes.
- 2- Inspect all electrical wiring, both field and factory installed, for loose connections. Tighten as required.
- 3- Check to ensure that refrigerant lines do not rub against the cabinet or against other refrigerant lines.
- 4- Check voltage at main unit power connection. Voltage must be within range listed on nameplate. If not, consult power company and have voltage condition corrected before starting unit.
- 5- Make sure filters are in place before start-up.
- 6- Make sure there is no heating, cooling, or blower demand from thermostat. Apply power to unit.



## Blower Operation and Adjustments

### A-Three Phase Scroll Compressor Voltage Phasing

Three phase scroll compressors must be phased sequentially to ensure correct compressor and blower rotation and operation. Compressor and blower are wired in phase at the factory. Power wires are color-coded as follows: line 1-red, line 2-yellow, line 3-blue.

- 1- Observe suction and discharge pressures and blower rotation on unit start-up.

If pressure differential is not observed or blower rotation is not correct:

- 2- Suction pressure must drop, discharge pressure must rise, and blower rotation must match rotation marking.
- 3- Disconnect all remote electrical power supplies.
- 4- Reverse any two field-installed wires connected to the line side of K3, TB2 or F4. Do not reverse wires at blower contactor or compressors.
- 5- Make sure the connections are tight.

Discharge and suction pressures should operate at their normal start-up ranges.

**MSAV™ Units** - All MSAV units are equipped with a phase monitor located in the control compartment. The phase monitor will detect the phasing of incoming power. If the incoming power is out of phase or if any of the three phases are lost, the indicating LED on the phase monitor will turn red and the unit will not start. In normal operation with correct incoming power phasing, the LED will be green.

### B-Blower Operation

Initiate blower demand at thermostat according to instructions provided with thermostat. Unit will cycle on thermostat demand. The following steps apply to applications using a typical electro-mechanical thermostat.

- 1- Blower operation is manually set at the thermostat subbase fan switch. With fan switch in **ON** position, blowers will operate continuously.
- 2- With fan switch in **AUTO** position, the blowers will cycle with demand. Blowers and entire unit will be off when system switch is in **OFF** position.

### C-Blower Access

The blower assembly is secured to a sliding frame which allows the blower motor to be pulled out of the unit. See figure 9.

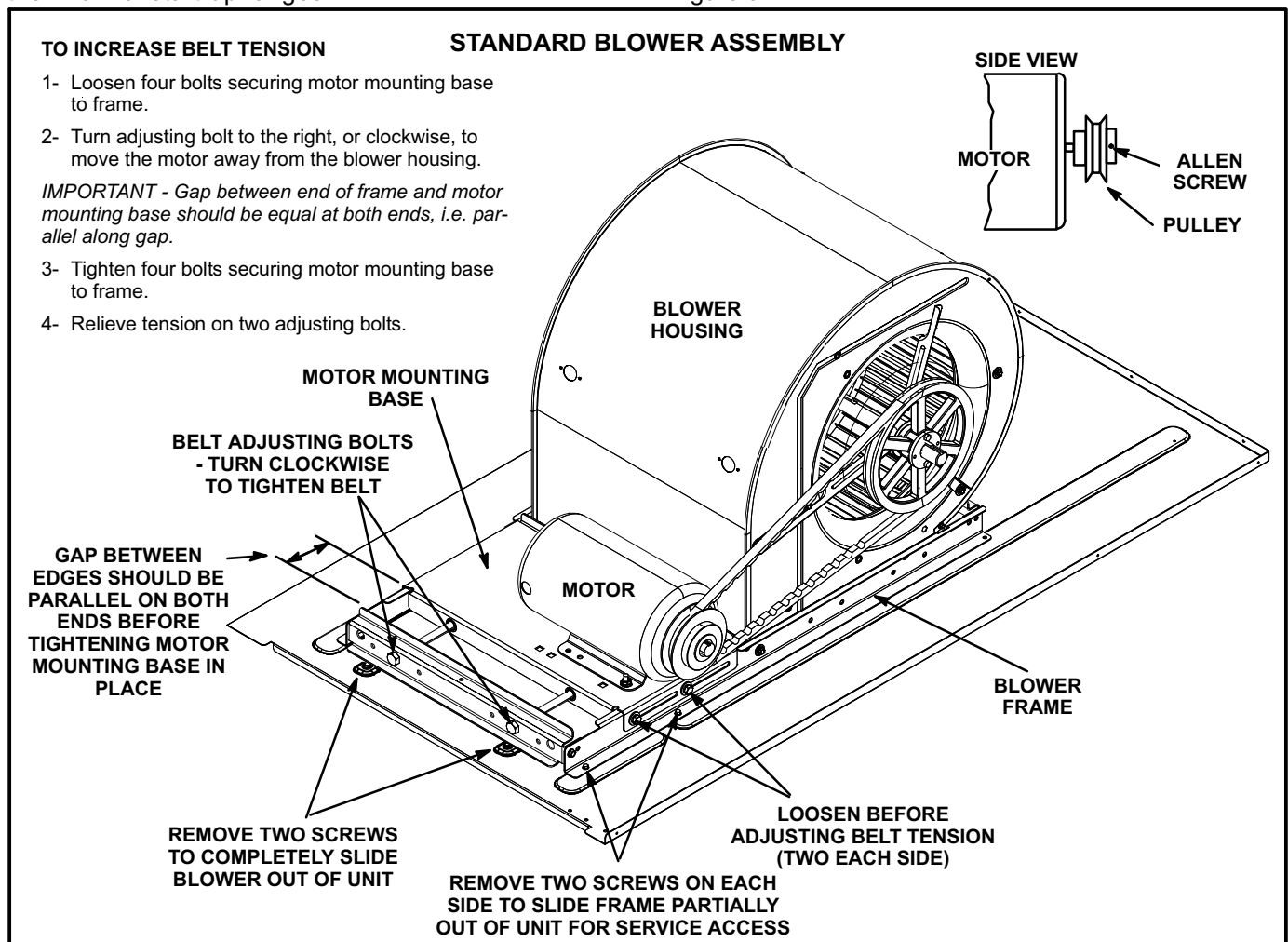
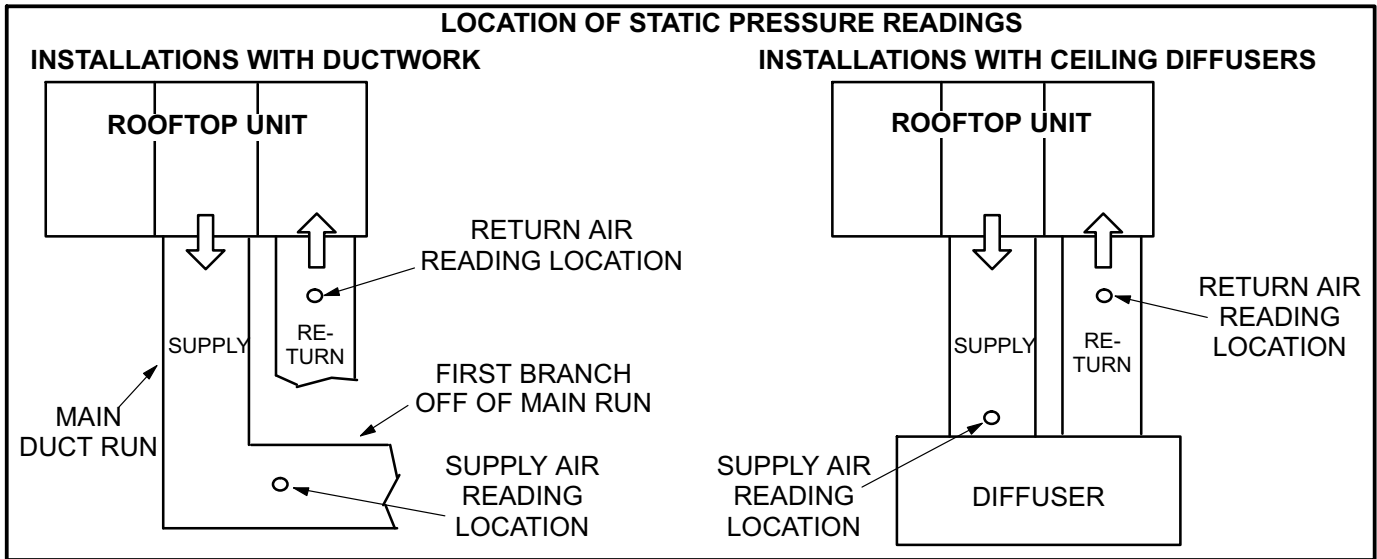


FIGURE 9



**FIGURE 10**

- 1- Loosen the reusable wire tie which secures the blower wiring to the blower motor mounting plate.
- 2- Remove and retain screws on either side of sliding frame. Pull frame toward outside of unit.
- 3- Slide frame back into original position when finished servicing. Reattach the blower wiring in the previous location on the blower motor base using the wire tie.
- 4- Replace retained screws on either side of the sliding frame.

**D-Determining Unit CFM**

*IMPORTANT - MSAV™ units are factory-set to run the blower at full speed when there is a blower (G) demand without a heating or cooling demand. Use the following procedure to adjust motor pulley to deliver the full load cooling or heating CFM. See MSAV™ Start-Up section to set blower CFM for all modes once the motor pulley is set.*

- 1- The following measurements must be made with a dry indoor coil. Run blower without a cooling demand. Measure the indoor blower shaft RPM. Air filters must be in place when measurements are taken.
- 2- With all access panels in place, measure static pressure external to unit (from supply to return). Blower performance data is based on static pressure readings taken in locations shown in figure 10.

*Note - Static pressure readings can vary if not taken where shown.*

- 3- Referring to page 13 or 14, use static pressure and RPM readings to determine unit CFM. Use page 15 when installing units with any of the optional accessories listed.
- 4- The blower RPM can be adjusted at the motor pulley. Loosen Allen screw and turn adjustable pulley

clockwise to increase CFM. Turn counterclockwise to decrease CFM. See figure 9. Do not exceed minimum and maximum number of pulley turns as shown in table 1.

**TABLE 1  
MINIMUM AND MAXIMUM PULLEY ADJUSTMENT**

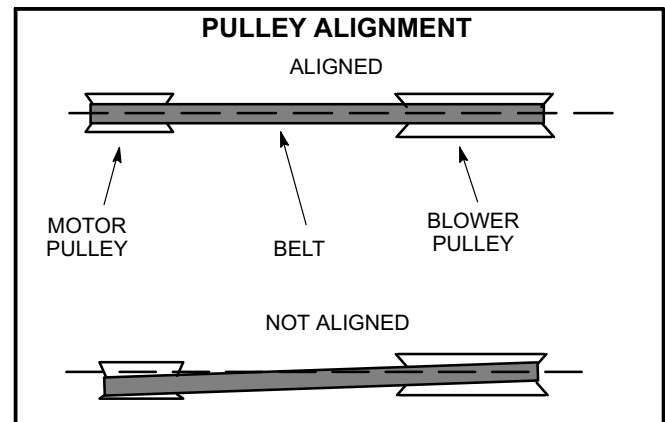
Belt	Minimum Turns Open	Maximum Turns Open
A Section	0	5
B Section	1*	6

\*No minimum number of turns open when B belt is used on pulleys 6" O.D. or larger.

**E-Blower Belt Adjustment**

Maximum life and wear can be obtained from belts only if proper pulley alignment and belt tension are maintained. Tension new belts after a 24-48 hour period of operation. This will allow belt to stretch and seat in the pulley grooves. Make sure blower and motor pulleys are aligned as shown in figure 11.

- 1- Loosen four bolts securing motor base to mounting frame. See figure 9.



**FIGURE 11**

2- *To increase belt tension -*

Turn both adjusting bolts to the right, or clockwise, to move the motor outward and tighten the belt. This increases the distance between the blower motor and the blower housing.

*To loosen belt tension -*

Turn the adjusting bolts to the left, or counterclockwise to loosen belt tension.

**IMPORTANT** - Align top edges of blower motor base and mounting frame base parallel before tightening four bolts on the side of base. Motor shaft and blower shaft must be parallel.

- 3- Tighten two bolts on each side of the motor mounting base. This secures the mounting base to the frame.
- 4- Relieve tension adjusting bolts.

**F-Check Belt Tension**

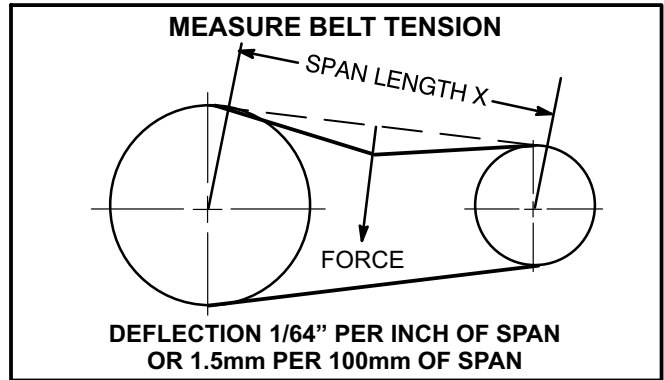
Overtensioning belts shortens belt and bearing life. Check belt tension as follows:

- 1- Measure span length X. See figure 12.
- 2- Apply perpendicular force to center of span (X) with enough pressure to deflect belt 1/64" for every inch of span length or 1.5mm per 100mm of span length.  
Example: Deflection distance of a 40" span would be 40/64" or 5/8".

Example: Deflection distance of a 400mm span would be 6mm.

- 3- Measure belt deflection force. For a new 2 and 3hp belt, the deflection force should be 5.0-7.0 lbs. (35-48kPa). For a new 5hp belt, the deflection force should be 7-10lbs. (48-69kPa).

A force below these values indicates an undertensioned belt. A force above these values indicates an overtensioned belt.



**FIGURE 12**

**F-Field-Furnished Blower Drives**

For field-furnished blower drives, use pages 12 through 14 to determine BHP and RPM required. Reference page 15 to determine the drive number. Reference table 2 for drive component manufacturer's numbers.

## BLOWER DATA

### 092 BELT DRIVE BLOWER – BASE UNIT

**BLOWER TABLE INCLUDES RESISTANCE FOR BASE UNIT ONLY (NO HEAT SECTION) WITH DRY INDOOR COIL AND AIR FILTERS IN PLACE. FOR ALL UNITS ADD:**

- 1 – Wet indoor coil air resistance of selected unit.
- 2 – Any factory installed options air resistance (heat section, economizer, etc.)
- 3 – Any field installed accessories air resistance (duct resistance, diffuser, etc.)

Then determine from blower table blower motor output required.

See page 15 for blower motors and drives.

See page 15 for wet coil and option/accessory air resistance data.

**MINIMUM AIR VOLUME REQUIRED FOR USE WITH OPTIONAL ELECTRIC HEAT (Maximum Static Pressure - 2.0 in. w.g.)**

7.5 kW, 15 kW, 22.5 kW, 30 kW and 45 kW - 2800 cfm

Total Air Volume cfm	Total Static Pressure – in. w.g.																											
	0.2		0.4		0.6		0.8		1.0		1.2		1.4		1.6		1.8		2		2.2		2.4		2.6			
	RPM	BHP	RPM	BHP	RPM	BHP	RPM	BHP	RPM	BHP	RPM	BHP	RPM	BHP	RPM	BHP	RPM	BHP	RPM	BHP	RPM	BHP	RPM	BHP	RPM	BHP	RPM	BHP
1750	583	0.09	627	0.06	673	0.09	723	0.06	777	0.45	834	0.82	892	1.13	943	1.28	990	1.38	1038	1.44	1084	1.60	1131	1.79	1179	2.25		
2000	593	0.11	636	0.07	682	0.10	731	0.22	784	0.60	840	0.96	898	1.26	948	1.38	996	1.47	1045	1.57	1092	1.71	1140	1.92	1188	2.32		
2250	604	0.15	645	0.11	690	0.15	739	0.39	790	0.74	846	1.08	901	1.34	953	1.48	1002	1.57	1052	1.70	1100	1.86	1149	2.09	1197	2.42		
2500	615	0.19	655	0.15	699	0.20	747	0.55	797	0.89	851	1.20	906	1.44	959	1.58	1009	1.68	1059	1.83	1108	2.01	1158	2.26	1206	2.52		
2750	626	0.23	666	0.19	709	0.37	755	0.71	805	1.03	858	1.32	912	1.55	966	1.70	1017	1.81	1067	1.97	1117	2.17	1166	2.44	1215	2.71		
3000	637	0.27	677	0.24	719	0.55	764	0.87	813	1.18	866	1.45	920	1.67	975	1.82	1026	1.96	1076	2.13	1126	2.35	1176	2.63	1225	2.92		
3250	650	0.31	688	0.43	730	0.73	775	1.04	823	1.34	875	1.60	930	1.81	985	1.97	1036	2.12	1086	2.31	1136	2.54	1186	2.83	1235	3.13		
3500	663	0.35	700	0.63	741	0.92	786	1.22	834	1.50	886	1.76	942	1.96	997	2.14	1048	2.31	1097	2.51	1147	2.75	1196	3.04	1245	3.35		
3750	676	0.57	714	0.84	754	1.12	798	1.41	846	1.68	899	1.93	956	2.14	1010	2.32	1060	2.51	1109	2.72	1158	2.98	1207	3.27	1255	3.58		

## BLOWER DATA

### 102, 120, 150 BELT DRIVE BLOWER – BASE UNIT

**BLOWER TABLE INCLUDES RESISTANCE FOR BASE UNIT ONLY (NO HEAT SECTION) WITH DRY INDOOR COIL AND AIR FILTERS IN PLACE. FOR ALL UNITS ADD:**

- 1 – Wet indoor coil air resistance of selected unit.
- 2 – Any factory installed options air resistance (heat section, economizer, etc.)
- 3 – Any field installed accessories air resistance (duct resistance, diffuser, etc.)

Then determine from blower table blower motor output required.

See page 15 for blower motors and drives.

See page 15 for wet coil and option/accessory air resistance data.

**MINIMUM AIR VOLUME REQUIRED FOR USE WITH OPTIONAL ELECTRIC HEAT (Maximum Static Pressure - 2.0 in. w.g.)**

15 kW, 22.5 kW, 30 kW and 45 kW - 2800 cfm

60 kW - 4000 cfm

Total Air Volume cfm	Total Static Pressure – in. w.g.																									
	0.2		0.4		0.6		0.8		1.0		1.2		1.4		1.6		1.8		2		2.2		2.4		2.6	
	RPM	BHP	RPM	BHP	RPM	BHP	RPM	BHP	RPM	BHP	RPM	BHP	RPM	BHP	RPM	BHP	RPM	BHP	RPM	BHP	RPM	BHP	RPM	BHP	RPM	BHP
1750	480	0.19	548	0.39	618	0.57	689	0.70	758	0.81	824	0.92	885	1.07	941	1.23	992	1.40	1039	1.55	1084	1.70	1128	1.85	1156	2.08
2000	492	0.27	560	0.47	629	0.64	700	0.77	768	0.88	832	1.00	892	1.16	946	1.32	995	1.48	1041	1.65	1085	1.81	1127	1.97	1160	2.13
2250	505	0.35	573	0.55	643	0.72	713	0.85	780	0.97	842	1.10	900	1.25	952	1.42	999	1.59	1044	1.76	1087	1.93	1127	2.10	1164	2.27
2500	520	0.45	588	0.64	658	0.81	727	0.94	793	1.07	853	1.21	909	1.37	959	1.54	1005	1.71	1048	1.89	1089	2.07	1127	2.25	1166	2.42
2750	536	0.55	604	0.74	674	0.91	743	1.05	806	1.19	865	1.34	919	1.50	968	1.67	1012	1.86	1053	2.04	1092	2.23	1129	2.41	1167	2.60
3000	553	0.66	622	0.85	692	1.02	760	1.17	821	1.32	878	1.48	930	1.64	977	1.83	1020	2.02	1059	2.21	1096	2.41	1133	2.60	1170	2.79
3250	572	0.77	641	0.98	712	1.15	778	1.32	837	1.48	892	1.64	942	1.81	988	2.00	1028	2.20	1066	2.41	1102	2.61	1138	2.81	1174	3.01
3500	592	0.90	663	1.12	733	1.31	798	1.48	854	1.65	907	1.82	955	1.99	999	2.19	1038	2.41	1074	2.63	1109	2.84	1144	3.04	1180	3.24
3750	614	1.04	687	1.28	756	1.48	818	1.66	872	1.83	922	2.01	969	2.19	1010	2.41	1048	2.64	1084	2.87	1118	3.09	1152	3.29	1188	3.50
4000	639	1.22	712	1.47	780	1.67	838	1.85	890	2.03	939	2.22	983	2.42	1023	2.65	1060	2.90	1095	3.14	1128	3.36	1162	3.57	1198	3.77
4250	666	1.42	740	1.68	804	1.88	859	2.06	909	2.25	956	2.45	998	2.67	1036	2.92	1072	3.18	1106	3.42	1139	3.65	1172	3.86	1208	4.07
4500	697	1.65	769	1.91	829	2.10	881	2.28	929	2.48	973	2.71	1013	2.95	1050	3.22	1085	3.48	1118	3.73	1151	3.96	1184	4.17	1221	4.39
4750	729	1.91	798	2.15	854	2.34	903	2.53	948	2.75	991	3.00	1030	3.27	1065	3.55	1099	3.81	1132	4.06	1164	4.29	1198	4.51	1235	4.74
5000	763	2.18	826	2.41	878	2.60	925	2.81	968	3.05	1009	3.33	1046	3.61	1081	3.90	1114	4.17	1146	4.42	1178	4.65	1212	4.87	1250	5.09
5250	797	2.47	854	2.69	903	2.90	947	3.12	989	3.39	1028	3.69	1064	3.99	1098	4.28	1130	4.55	1162	4.80	1194	5.02	1228	5.24	1266	5.47
5500	830	2.78	882	3.00	927	3.22	969	3.48	1010	3.77	1047	4.09	1083	4.40	1116	4.69	1147	4.96	1179	5.20	1211	5.42	1246	5.63	---	---
5750	861	3.11	908	3.34	951	3.58	992	3.87	1031	4.19	1068	4.52	1102	4.84	1134	5.12	1165	5.38	1196	5.61	---	---	---	---	---	---
6000	890	3.45	935	3.71	976	3.98	1016	4.31	1053	4.65	1089	4.99	1122	5.30	1153	5.58	---	---	---	---	---	---	---	---	---	---
6250	918	3.84	961	4.12	1001	4.43	1040	4.79	1076	5.14	1110	5.48	---	---	---	---	---	---	---	---	---	---	---	---	---	---

## BLOWER DATA

### FACTORY INSTALLED BELT DRIVE KIT SPECIFICATIONS

Nominal hp	Maximum hp	Drive Kit Number	RPM Range
2	2.3	1	590 - 890
2	2.3	2	800 - 1105
2	2.3	3	795 - 1195
3	3.45	4	730 - 970
3	3.45	5	940 - 1200
3	3.45	6	1015 - 1300
5	5.75	10	900 - 1135
5	5.75	11	1040 - 1315
5	5.75	12	1125 - 1425

### POWER EXHAUST FAN PERFORMANCE

Return Air System Static Pressure	Air Volume Exhausted
in. w.g.	cfm
0	3175
0.05	2955
0.10	2685
0.15	2410
0.20	2165
0.25	1920
0.30	1420
0.35	1200

### FACTORY INSTALLED OPTIONS/FIELD INSTALLED ACCESSORY AIR RESISTANCE - in. w.g.

Air Volume cfm	Wet Indoor Coil		Electric Heat	Economizer	Filters		Return Air Adaptor Plate
	092	102, 120, 150			MERV 8	MERV 13	
1750	0.08	0.09	0.03	0.05	0.01	0.03	0.00
2000	0.10	0.11	0.03	0.06	0.01	0.03	0.00
2250	0.10	0.13	0.04	0.08	0.01	0.04	0.00
2500	0.12	0.15	0.04	0.11	0.01	0.05	0.00
2750	0.12	0.17	0.05	0.12	0.02	0.05	0.00
3000	0.15	0.19	0.06	0.13	0.02	0.06	0.02
3250	0.18	0.23	0.06	0.15	0.02	0.06	0.02
3500	0.21	0.26	0.09	0.15	0.03	0.07	0.04
3750	0.23	0.29	0.09	0.15	0.03	0.08	0.07
4000	0.25	0.31	0.09	0.19	0.04	0.08	0.09
4250	0.27	0.34	0.13	0.19	0.04	0.09	0.11
4500	0.30	0.37	0.14	0.22	0.04	0.09	0.12
4750	0.32	0.40	0.17	0.25	0.05	0.10	0.16
5000	0.35	0.43	0.20	0.29	0.06	0.10	0.18
5250	0.36	0.46	0.22	0.32	0.06	0.11	0.19
5500	0.40	0.50	0.25	0.34	0.07	0.12	0.22
5750	0.43	0.56	0.31	0.45	0.07	0.12	0.25
6000	0.46	0.59	0.33	0.52	0.08	0.13	0.27

**TABLE 2  
MANUFACTURER'S NUMBERS**

DRIVE NO.	DRIVE COMPONENTS					
	ADJUSTABLE SHEAVE		FIXED SHEAVE		BELT	
	BROWNING NO.	OEM PART NO.	BROWNING NO.	OEM PART NO.	BROWNING NO.	OEM PART NO.
1	1VP34x7/8	31K6901	AK61x1	100244-20	AX54	100245-25
2	1VP40x7/8	79J0301	AK59x1	31K6801	AX55	100245-26
3	1VP34x7/8	31K6901	AK46x1	100244-17	AX52	100245-33
4	1VP44x7/8	53J9601	AK74x1	100244-21	AX58	100245-34
5	1VP50x7/8	98J0001	AK69x1	37L4701	AX58	100245-34
6	1VP50x7/8	98J0001	AK64x1	12L2501	AX57	100245-28
10	1VP50x1-1/8	P-8-1977	BK77x1	49K4001	BX59	59A5001
11	1VP50x1-1/8	P-8-1977	BK67x1	100244-24	BX57	78L5301
12	1VP50x1-1/8	P-8-1977	BK62x1	100244-23	BX56	100245-11

**Heating Start-Up**

1- Set thermostat or temperature control device to initiate a first-stage heating demand.

A first-stage heating demand (W1) will energize compressors 1 and 2. Both outdoor fans are energized with a W1 demand.

*Note - L1 and L2 reversing valves are de-energized in the heating mode.*

*KHA Units With Optional Electric Heat -*

An increased heating demand (W2) will energize electric heat. Electric heat is also energized during the defrost cycle (W1) to maintain discharge air temperature.

**Cooling Start-Up**

**⚠ IMPORTANT**

**If unit is equipped with a crankcase heater. Make sure heater is energized 24 hours before unit start-up to prevent compressor damage as a result of slugging.**

**A-Start-Up**

MSAV™ Units - Refer to the MSAV™ Start-Up section.

1- Set thermostat or temperature control device fan switch to **AUTO** or **ON**. Set thermostat or temperature control device to initiate a first-stage cooling demand.

A first-stage Y1 cooling demand will energize L1 reversing valve solenoid and compressor 1. An increased cooling demand Y2 will initiate L2 reversing valve solenoid and compressor 2.

*Units With Optional Economizer -*

The optional economizer will start on a first stage (Y1) cooling demand when outdoor air enthalpy is suitable. An increased cooling demand (Y2) will energize compressors 1.

2- Refrigerant circuits are factory charged with HCFC-410A refrigerant. See unit rating plate for correct amount of charge.

3- Units contain two refrigerant circuits or systems. See figure 13 and 14.

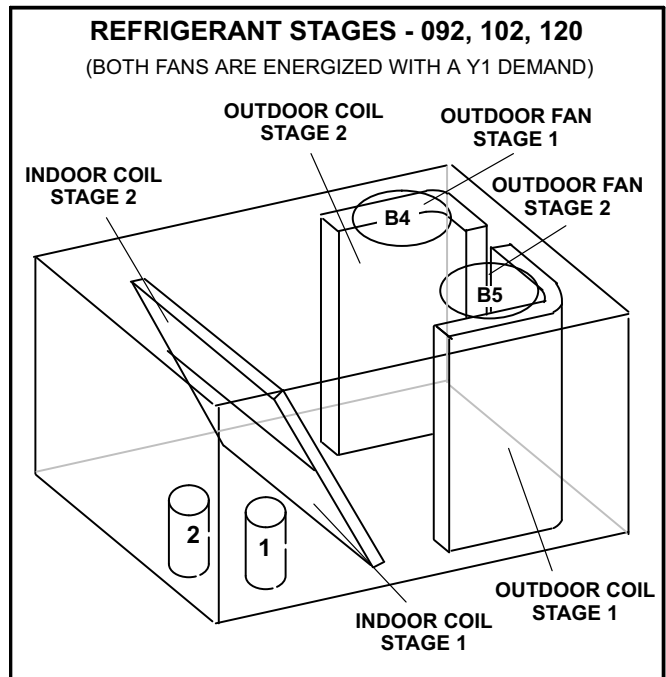
**B-Refrigerant Charge and Check**

**WARNING-Do not exceed nameplate charge under any condition.**

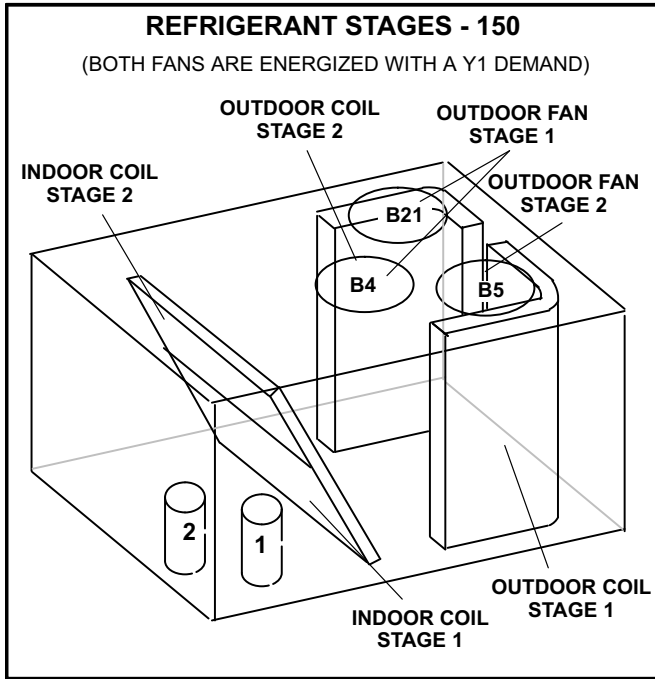
This unit is factory charged and should require no further adjustment. If the system requires additional refrigerant, **reclaim the charge, evacuate the system, and add required nameplate charge.**

*NOTE - System charging is not recommended below 60°F (15°C). In temperatures below 60°F (15°C), the charge **must** be weighed into the system.*

If weighing facilities are not available, or to check the charge, use the following procedure:



**FIGURE 13**



**FIGURE 14**

- 1- Attach gauge manifolds and operate unit in cooling mode with economizer disabled until system stabilizes (approximately five minutes).
- 2- Check each system separately with all stages operating.
- 3- Use a thermometer to accurately measure the outdoor ambient temperature.
- 4- Apply the outdoor temperature to tables 3 through 6 to determine normal operating pressures. Pressures are listed for sea level applications at 80°F dry bulb and 67°F wet bulb return air.
- 5- Compare the normal operating pressures to the pressures obtained from the gauges. Minor variations in these pressures may be expected due to differences in installations. Significant differences could mean that the system is not properly charged or that a problem exists with some component in the system. **Correct any system problems before proceeding.**

**TABLE 3  
KHA092S NORMAL OPERATING PRESSURES**

Outdoor Coil Entering Air Temp	CIRCUIT 1		CIRCUIT 2	
	Dis-charge ±10 psig	Suction ±5 psig	Dis-charge ±10 psig	Suction ±5 psig
65° F	253	139	252	139
75° F	291	141	290	140
85° F	333	144	332	143
95° F	378	146	377	145
105° F	428	149	428	149
115° F	483	153	483	151

**TABLE 4  
KHA102S NORMAL OPERATING PRESSURES**

Outdoor Coil Entering Air Temp	CIRCUIT 1		CIRCUIT 2	
	Dis-charge ±10 psig	Suction ±5 psig	Dis-charge ±10 psig	Suction ±5 psig
65° F	258	132	258	135
75° F	299	136	299	138
85° F	340	140	340	143
95° F	388	144	387	147
105° F	439	149	439	150
115° F	490	154	494	153

**TABLE 5  
KHA120S NORMAL OPERATING PRESSURES**

Outdoor Coil Entering Air Temp	CIRCUIT 1		CIRCUIT 2	
	Dis-charge ±10 psig	Suction ±5 psig	Dis-charge ±10 psig	Suction ±5 psig
65° F	261	128	264	131
75° F	299	131	303	131
85° F	342	134	346	135
95° F	387	137	393	138
105° F	436	140	444	144
115° F	489	143	497	147

**TABLE 6  
KHA150S NORMAL OPERATING PRESSURES**

Outdoor Coil Entering Air Temp	CIRCUIT 1		CIRCUIT 2	
	Dis-charge ±10 psig	Suction ±5 psig	Dis-charge ±10 psig	Suction ±5 psig
65° F	245	130	250	131
75° F	284	134	289	135
85° F	326	137	330	137
95° F	371	140	374	140
105° F	419	144	420	143
115° F	470	147	469	145

- 6- If discharge pressure is high, remove refrigerant from the system. If discharge pressure is low, add refrigerant to the system.
  - Add or remove charge in increments.
  - Allow the system to stabilize each time refrigerant is added or removed.
- 7- Use the following approach method along with the normal operating pressures to confirm readings.

**C-Charge Verification - Approach Method - AHRI Testing**

- 1- Using the same thermometer, compare liquid temperature to outdoor ambient temperature.
 

Approach Temperature = Liquid temperature (at condenser outlet) minus ambient temperature.
- 2- Approach temperature should match values in table 7. An approach temperature greater than value shown indicates an undercharge. An approach temperature less than value shown indicates an overcharge.



- 3- The approach method is not valid for grossly over or undercharged systems. Use tables 3 through 6 as a guide for typical operating pressures.

**TABLE 7  
APPROACH TEMPERATURE**

Unit	Liquid Temp. Minus Ambient Temp.	
	1st Stage	2nd Stage
<b>092S</b>	10°F ± 1 (5.6°C ± 0.5)	10°F ± 1 (5.6°C ± 0.5)
<b>102S</b>	8°F ± 1 (4.4°C ± 0.5)	9°F ± 1 (5.0°C ± 0.5)
<b>120S</b>	6°F ± 1 (3.3°C ± 0.5)	7°F ± 1 (3.9°C ± 0.5)
<b>150S</b>	6°F ± 1 (3.3°C ± 0.5)	6°F ± 1 (3.3°C ± 0.5)

**D-Compressor Controls**

- 1- High Pressure Switches (S4, S7)  
Compressor circuits are protected by a high pressure switch which cuts out at 640 psig ± 10 psig (4413 kPa ± 70 kPa).
- 2- Freezestats (S49, S50)  
Switches de-energize compressors when indoor coil temperature falls below 29°F (-2°C) to prevent coil freeze-up. Switches reset when indoor coil temperature reaches 58°F (15°C).
- 3- Defrost Switches (S6, S9)  
Defrost switches close to initiate defrost when liquid line temperature falls to 35°F (1.7°C). The defrost switch is located on the liquid line between the outdoor expansion valve and the distributor
- 4- Defrost Termination Switches (S46, S104)  
Defrost pressure switches open to terminate defrost when vapor (discharge pressure during cooling and defrost) pressure reaches 450 psig (3103 kPa).
- 5- Defrost Controls (CMC1)  
Defrost is liquid line temperature initiated and operates for 14 minutes unless terminated by vapor line pressure drop.

When the liquid line temperature drops below 35°F, the defrost switch closes and signals the **defrost control** that a defrost cycle is needed. If the defrost switch is still closed after 60 minutes (default), a defrost cycle begins and operates for 14 minutes. The defrost pressure switch can terminate the defrost cycle before the 14 minutes elapses if vapor pressure reaches 450 ± 10 psi.

Electric heat is energized during defrost to maintain discharge air temperature.

**Defrost Control Board**

The defrost thermostat, defrost pressure switch and the defrost control work together to ensure that the heat pump outdoor coil does not ice excessively during the heating mode.

**Compressor Accumulated Run-Time Interval**

The defrost control will not energize a defrost cycle unless the unit has been operating in heating mode for an accumulated 60 minutes (default) on 100269-02 boards; 90 minutes (default) on 100269-04 boards. The run time interval can be changed by moving the jumper on the CMC board timing pins. See figure 15.

The defrost interval can be adjusted to 30, 60, or 90 minutes. The defrost timing jumper is factory-installed to provide a 60-minute defrost interval. If the timing selector jumper is not in place, the control defaults to a 90-minute defrost interval.

**Defrost Test Option**

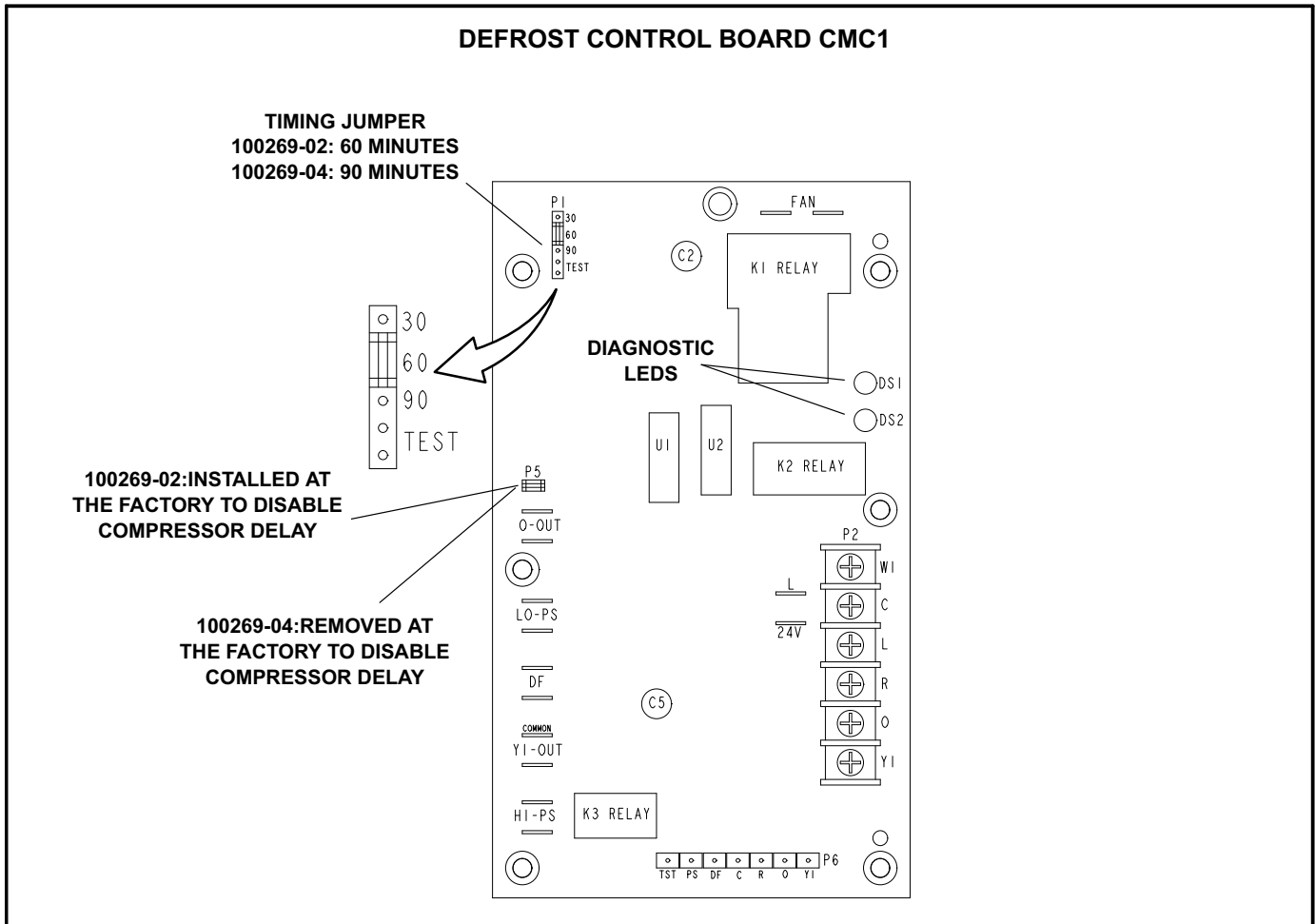
A TEST option is provided for troubleshooting. The TEST mode may be started any time the unit is in the heating mode and the defrost thermostat is closed or jumpered. If the timing jumper is in the TEST position at power-up, the defrost control will ignore the test pins. When the jumper is placed across the TEST pins for two seconds, the control will enter the defrost mode. If the jumper is removed before an additional 5-second period has elapsed (7 seconds total), the unit will remain in defrost mode until the defrost pressure switch opens or 14 minutes have passed. If the jumper is not removed until after the additional 5-second period has elapsed, the defrost will terminate and the test option will not function again until the jumper is removed and re-applied.

**Diagnostic LEDs**

The defrost board uses two LEDs for diagnostics. The LEDs flash a sequence according to the condition.

**TABLE 8**

Defrost Control Board Diagnostic LED		
Indicates	LED 1	LED 2
Normal operation / power to board	Synchronized Flash with LED 2	Synchronized Flash with LED 1
Board failure / no power	Off	Off
Board failure	On	On
Pressure switch open	Flash	On



**MSAV™ Start-Up**

**A-General**

Optional Multi-Stage Air Volume (MSAV™) units are available which provide two blower speeds. The blower will operate at lower speeds when cooling demand is low and higher speeds when cooling demand is high. This results in lower energy consumption.

MSAV™ units will operate at high speed during ventilation (blower “G” only signal) but can be adjusted to operate at low speed.

Low speed is approximately 2/3 of the full speed RPM.

**B-Set Maximum Blower CFM**

- 1- Initiate a blower (G) only signal from the room thermostat or control system.
- 2- Adjust the blower pulley to deliver the full (high speed) CFM in the typical manner. See *Determining Unit CFM* in the Blower Operation and Adjustment section.

**C-Set Blower Speed During Ventilation**

To save energy during ventilation, the blower speed can be set to low. This is accomplished by changing the ventilation speed switch on the VFD control board to “LO”. See figure 16.

*Note - On units equipped with an economizer, set damper minimum position as shown in the next section. After adjusting the low speed minimum position, the ventilation speed switch will be in the “LO” position.*

**D-Set Damper Minimum Position (Units W/ Economizer)**

To maintain required minimum ventilation air volumes when the unit is in the occupied mode, two minimum damper positions must be set. A high and a low speed potentiometer are provided on the VFD control board to adjust minimum damper position. See figure 16.

**Set High Speed Minimum Position**

- 1- Initiate a blower (G) only AND occupied demand from the room thermostat or control system.
- 2- Set the ventilation speed switch on the VFD control board to “HI”.
- 3- Rotate the high speed potentiometer on the VFD control board to set the high speed minimum damper position.

- 4- Measure the intake air CFM. If the CFM is lower than the design specified CFM for ventilation air, use the potentiometer to increase the damper percent open. If the CFM is higher than specified, decrease the damper percent open.

*Note - Intake air CFM can also be determined using the outdoor air temperature, return air temperature and mixed air temperature. Refer to the economizer or outdoor air damper installation instructions.*

#### Set Low Speed Minimum Position

- 1- Initiate a blower (G) only AND occupied demand from the room thermostat or control system.
- 2- Set the ventilation speed switch on the VFD control board to "LO".
- 3- Rotate the low speed potentiometer on the VFD control board to set the low speed minimum damper position.
- 4- Measure the intake air CFM. If the CFM is lower than the design specified CFM for ventilation air, use the potentiometer to increase the damper percent open. If the CFM is higher than specified, decrease the damper percent open.

*Note - Intake air CFM can also be determined using the outdoor air temperature, return air temperature and mixed air temperature. Refer to the economizer or outdoor air damper installation instructions.*

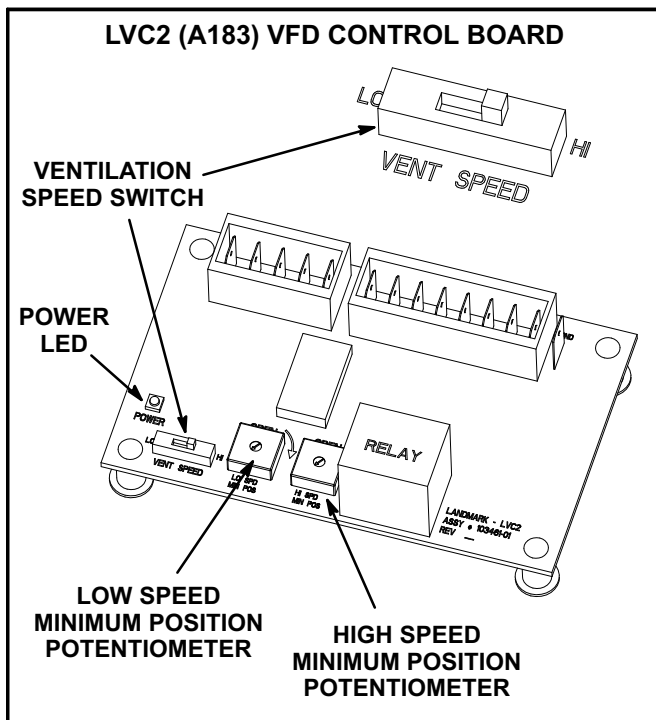


FIGURE 16

#### Troubleshoot LVC2 Board (A183)

Refer to wiring diagram sections B (unit), C (control) and D (economizer) located on inside of unit panels.

- 1- Inspect the LVC2 for damaged components. Replace the LVC2 if damaged components are found.
- 2- Check all wire connections to LVC2; secure if loose.
- 3- Check for 24VAC signal at the thermostat blower input (G to GND terminal). See figure 17.

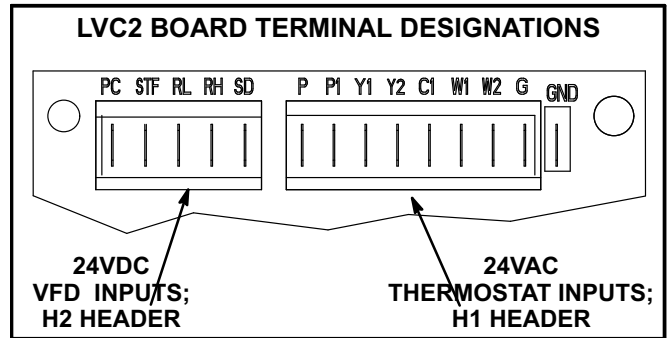


FIGURE 17

- 4- If there is no thermostat signal, troubleshoot back toward the thermostat.
- 5- Check the power LED on the board. See figure 16.
- 6- If the power LED is not on, check voltage between LVC2 terminals PC (H2-1) and SD (H2-5). Voltage should read 24VDC.
- 7- If voltage does not read 24VDC, disconnect the H2 header from the LVC2 VFD inputs terminal block (to make sure the LVC2 is not shorting 24VDC supply from the inverter). Measure the voltage between the end terminals on the H2 header. If 24VDC is present, replace the LVC2 board. If no voltage is read, troubleshoot the VFD.
- 8- When LVC2 24VAC thermostat blower (G) input and 24VDC power are present, check the LVC2 low and high speed outputs. The LVC2 uses inverse logic to enable the blower; 1VDC will be read at the enabled blower speed terminal. See table 9.
- 9- If all inputs are correct and the unit still does not operate as intended, replace LVC2 board.

TABLE 9  
LVC2 BOARD BLOWER OUTPUTS

Output Terminals	Voltage	Blower Operation
RL-SD	1VDC	Low Speed
RH-SD	24VDC	
RL-SD	24VDC	High Speed
RH-SD	1VDC	
RL-SD	1VDC	Illegal State (replace board)
RH-SD	1VDC	
RL-SD	24VDC	Blower Off (replace board)
RH-SD	24VDC	

## Service

The unit should be inspected once a year by a qualified service technician.

## ⚠ CAUTION

Label all wires prior to disconnection when servicing controls. Wiring errors can cause improper and dangerous operation. Verify proper operation after servicing.

### A-Lubrication

All motors are lubricated at the factory. No further lubrication is required.

### B-Compressor

If Interlink compressor replacement is necessary, call 1-800-4-LENNOX (1-800-453-6669).

## ⚠ IMPORTANT

Some scroll compressors have an internal vacuum protector that will unload scrolls when suction pressure goes below 20 psig. A hissing sound will be heard when the compressor is running unloaded. Protector will reset when low pressure in system rises above 40 psig. **DO NOT REPLACE COMPRESSOR.**

### C-Filters

Units are equipped with four 20 X 25 X 2" filters. Filters should be checked monthly and replaced when necessary with filters of like kind and size. Take note of air flow direction marking on filter frame when reinstalling filters. See figure 18.

*NOTE-Filters must be U.L.C. certified or equivalent for use in Canada.*

### D-Supply Air Blower Wheel

Annually inspect supply air blower wheel for accumulated dirt or dust. Turn off power before attempting to remove access panel or to clean blower wheel.

### E-Indoor Coil

Inspect and clean coil at beginning of each cooling and heating season. Clean using mild detergent or commercial coil cleanser. Flush coil and condensate drain with water taking care not to get insulation, filters and return air ducts wet.

### F-Outdoor Coil

Clean condenser coil annually with detergent or commercial coil cleaner and inspect monthly during the cooling season.

Condenser coils are made of two formed slabs. Dirt and debris may become trapped between the slabs. To clean between slabs, carefully separate coil slabs and wash them thoroughly. See figure 19. Flush coils with water following cleaning.

### G-Filter Drier

The unit is equipped with a biflow filter drier. If replacement is necessary, order another of like design.

## ⚠ WARNING

Product contains fiberglass wool. Disturbing the insulation in this product during installation, maintenance, or repair will expose you to fiberglass wool. Breathing this may cause lung cancer. (Fiberglass wool is known to the State of California to cause cancer.) Fiberglass wool may also cause respiratory, skin, and eye irritation. To reduce exposure to this substance or for further information, consult material safety data sheets available from address shown on unit nameplate or contact your supervisor.

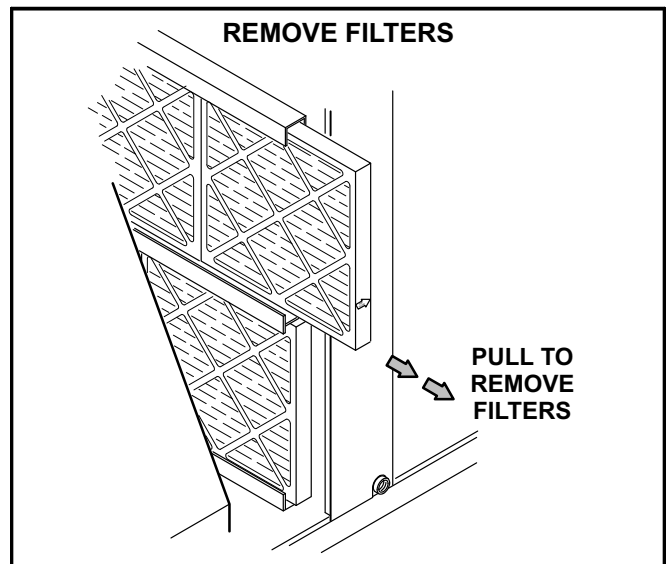


FIGURE 18

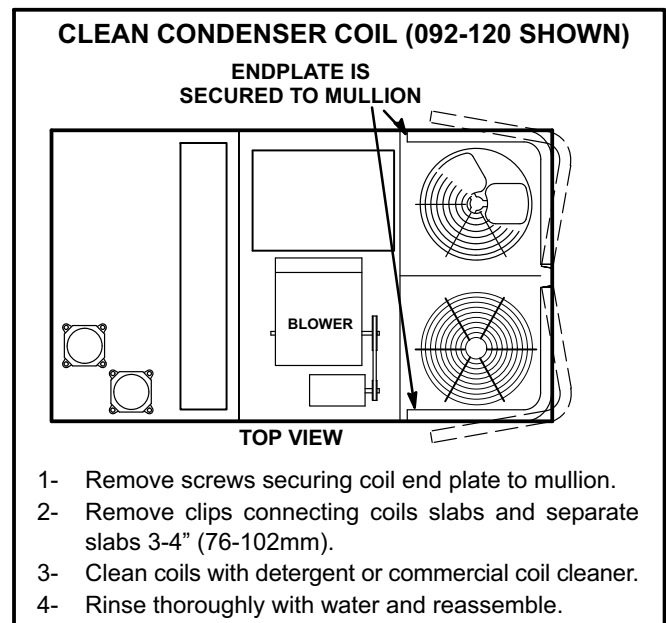


FIGURE 19