



SEER - 13.00
 3 to 5 Tons
 Cooling Capacity - 36,000 to 55,500
 Optional Electric Heat 10 - 20 kW

Model Number Identification

2	SA	13	B	60	T	-	1	A
2 - R22	Single Package A/C	13 - 13 SEER Nominal	Series	Nominal Cooling 60 - 60,000 Btuh	Voltage T - 200-230V/60Hz/3Ph F - 460V/60Hz/3Ph J - 575V/60Hz/3Ph	Major Revision Code	Minor Revision Code	

Features

Heavy duty, high efficiency scroll compressor

Insulated compartment to reduce sound

High quality condenser coil with copper tubing and enhanced fin for maximum heat transfer capacity

Easy service split-ring design blower with quick plug in wiring

Insulated cabinet to minimize heat loss

PSC prelubricated motor for low maintenance and maximum efficiency

Wire guard coil protection

Dynamically balanced blower wheel with resilient motor mounts for smooth, quiet operation

Weather protected heavy-duty condenser fan motor

Factory pre-wired for economizer installation

One-piece no leak top design

Horizontal or down discharge

Easy service access

Warranties: Limited 5 years on compressor. Limited 1 year on all other covered components.

Electrical

Model	Voltage/Hz/ Phase	Normal Voltage Range	Min. Circuit Ampacity	Max. Fuse/HACR Brkr.	Compressor		Fan Motor			Indoor Blower	
					Rated Load (amps)	Locked Rotor (amps)	Rated Load (amps)	Rated HP	Nom. RPM	Rated Load (amps)	Rated HP
2SA13B36T	200-230/60/3	187-253	17.0	25	9.6	88	1.1	1/5	1075	2.2	1/2
2SA13B48T	200-230/60/3	187-253	23.0	30	12.2	88	1.7	1/4	825	3.6	3/4
2SA13B60T	200-230/60/3	187-253	26.0	35	14.7	91	1.7	1/4	825	3.6	3/4
2SA13B48F	460/60/3	414-506	13.0	20	5.8	44	.7	1/4	825	2.7	.9
2SA13B60F	460/60/3	414-506	14.0	20	7	50	.7	1/4	825	2.7	.9
2SA13B48J	575/60/3	518-633	10.0	20	4.6	37	.4	1/4	825	2	.9
2SA13B60J	575/60/3	518-633	11.0	20	5.1	37	.4	1/4	825	2	.9

Physical

Model	Outside Fan		Indoor Blower Wheel dia. X width (in.)	Refrigerant Charge (oz.)	Weight (lbs.)
	Diameter (in.)	Nominal RPM			
2SA13B36T	22	1075	10 x 8	101	390
2SA13B48T	26	825	10 x 10	146	510
2SA13B60T	26	825	10 x 10	165	510
2SA13B48F	26	825	10 x 10	146	510
2SA13B60F	26	825	10 x 10	165	510
2SA13B48J	26	825	10 x 10	146	510
2SA13B60J	26	825	10 x 10	165	510

Performance

Outdoor Model	SEER	EER	Rated ARI Capacity ¹	Rated Sensible Capacity	CFM
2SA13B36	13.00	11.50	36,000	27,000	1200
2SA13B48	13.00	11.50	47,000	35,700	1600
2SA13B60	13.00	11.05	55,500	41,000	1800

¹Certified in accordance with Unitary Air Conditioner Certification Program, which is based on ARI Standard 210/240.

Blower Performance

Model	Blower Speed	CFM @ ext. static pressure - in w.c. w/o filter(s) ¹						
		0.2	0.3	0.4	0.5	0.6	0.7	0.8
2SA13B 36	High	1510	1460	1400	1330	1250	1180	1100
	Med.	1060	1050	1030	990	950	900	850
	Low	870	860	840	820	790	750	680
2SA13B 48,60	High	2090	2000	1930	1820	1710	1590	1480
	Med.	1820	1780	1730	1650	1570	1480	1370
	Low	1520	1480	1450	1440	1410	1360	1260

¹ All air data is measured external to unit without air filters.

¹ Add 0.05 to static pressure for bottom duct connection.

Cooling Performance Extended Ratings

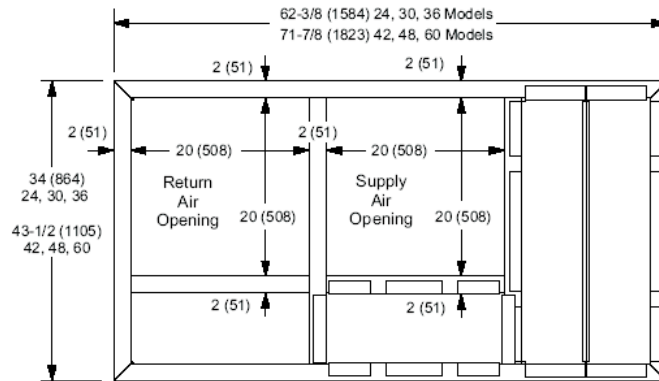
Model	Indoor Temp DB/WB °F	Outdoor Temp. - DB°F														
		65			82			95			105			115		
		Btuh	S/T	kW	Btuh	S/T	kW	Btuh	S/T	kW	Btuh	S/T	kW	Btuh	S/T	kW
2SA13B36	85/72	42,491	.63	2.78	39,299	.65	2.93	38,639	.68	3.28	35,847	.71	3.57	33,056	.74	3.89
	80/67	39,600	.70	2.51	37,897	.70	2.85	36,000	.75	3.22	32,439	.80	3.54	28,878	.85	3.85
	75/63	37,818	.71	2.48	36,040	.71	2.80	32,426	.79	3.17	29,046	.84	3.49	25,666	.89	3.80
2SA13B48	85/72	55,474	.64	3.53	51,307	.66	3.72	50,445	.69	4.17	46,801	.72	4.54	43,156	.75	4.94
	80/67	51,700	.71	3.19	49,476	.71	3.63	47,000	.76	4.09	42,351	.81	4.49	37,702	.86	4.89
	75/63	49,374	.72	3.15	47,052	.71	3.56	42,334	.80	4.03	37,921	.85	4.43	33,509	.91	4.83
2SA13B60	85/72	65,507	.63	4.33	60,586	.64	4.57	59,568	.67	5.12	55,265	.70	5.57	50,961	.73	6.06
	80/67	61,050	.70	3.92	58,424	.69	4.45	55,500	.74	5.02	50,010	.79	5.51	44,521	.83	6.00
	75/63	58,303	.71	3.86	55,562	.70	4.37	49,991	.78	4.94	44,780	.83	5.43	39,569	.88	5.93

Heat Strip Electrical

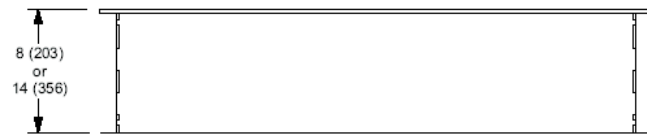
Model	Heater Model	Unit Supply Voltage Single Phase	kW	Min. Circuit Ampacity 1	Max. Fuse/ HACR Brkr. 1	Min. Circuit Ampacity 2	Max. Fuse/ HACR Brkr. 2
2SA13B36T	PHK10BT	240	10	35.3	40	--	--
		208	7.51	31.3	35	--	--
	PHK15BT	240	15	50.4	60	--	--
		208	11.27	44.3	45	--	--
2SA13B48T	PHK10BT	240	10	37.1	40	--	--
		208	7.51	33.1	35	--	--
	PHK15BT	240	15	52.1	60	--	--
		208	11.27	46.1	50	--	--
	PHK20CT	240	20	52.1	60	26	30
		208	15.02	46.1	50	22.6	25
2SA13B60T	PHK10BT	240	10	37.1	40	--	--
		208	7.51	33.1	35	--	--
	PHK15BT	240	15	52.1	60	--	--
		208	11.27	46.1	50	--	--
	PHK20CT	240	20	52.1	60	26	30
		208	15.02	46.1	50	22.6	25
2SA13B48F	PHK10BF	480	10	18.4	20	--	--
	PHK20BF	480	20	33.4	35	--	--
2SA13B60F	PHK10BF	480	10	18.4	20	--	--
	PHK20BF	480	20	33.4	35	--	--

Accessories

Model Number	Description	Used with
92M51	Lifting Bracket	All
92M54	Internal Filter Kit	2SA13B 24,30,36
92M55	Internal Filter Kit	2SA13B 42,48,60
92M99	Roof Curb 8 inch height	2SA13B 24,30,36
93M00	Roof Curb 14 inch height	2SA13B 24,30,36
93M01	Roof Curb 8 inch height	2SA13B 42,48,60
93M02	Roof Curb 14 inch height	2SA13B 42,48,60
22W15	Downflow Modulating Economizer	All SA13B
22W16	Horizontal Modulating Economizer	All SA13B
22W17	Manual Outside Air Damper Small Base	2SA13B 36
1.851366	Manual Outside Air Damper Large Base	2SA13B 48, 60
1.851369	Motorized Outside Air Damper Small Base	2SA13B 36
1.851370	Motorized Outside Air Damper Large Base	2SA13B 48, 60
1.821105	10 kw Electric Heater Kit	2SA13B36, 48, 60T
1.821108	10 kw Electric Heater Kit	2SA13B36, 48, 60F
1.821106	15 kw Electric Heater Kit	2SA13B 36, 48, 60T
1.821107	20 kw Electric Heater Kit	2SA13B 48, 60T
1.821109	20 kw Electric Heater Kit	2SA13B 48, 60F



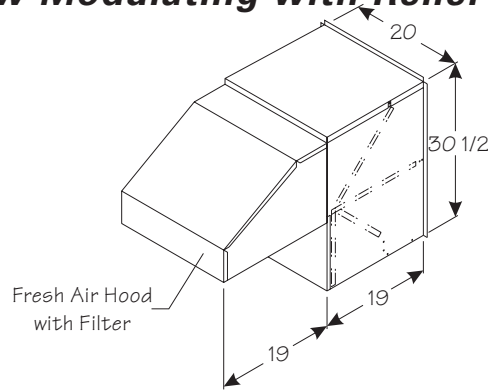
TOP VIEW



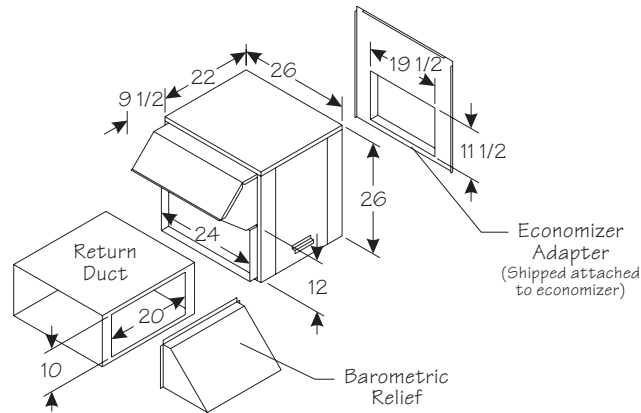
SIDE VIEW

Accessories

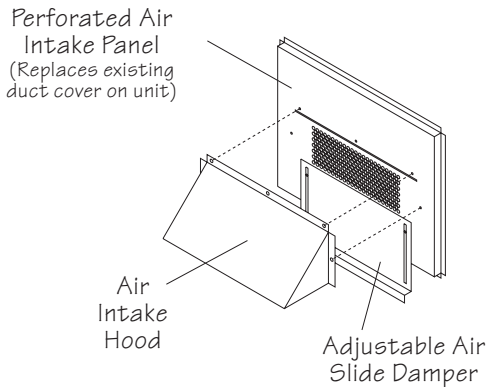
Economizer - Downflow Modulating with Relief AECON817 (22W15)



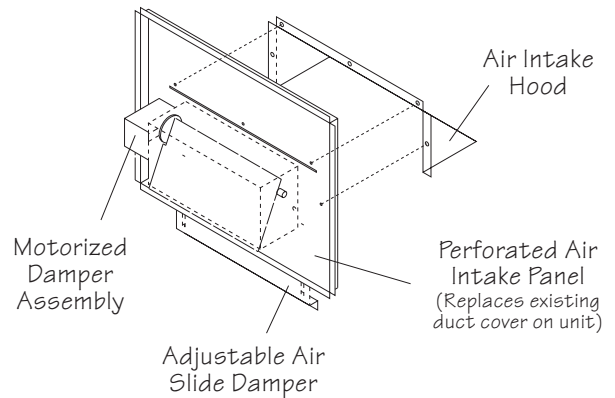
Economizer - Horizontal Modulating AECON818 (22W16)



0 - 25% Manual Outside Air Damper ADMPR819 (22W17) ADMPR820 (1.851366)

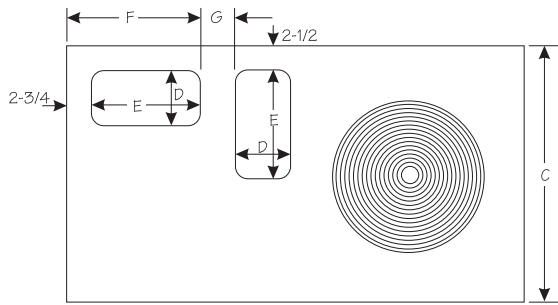


0 - 25% Motorized Outside Air Damper ADMPR821 (1.851369) ADMPR822 (1.851370)

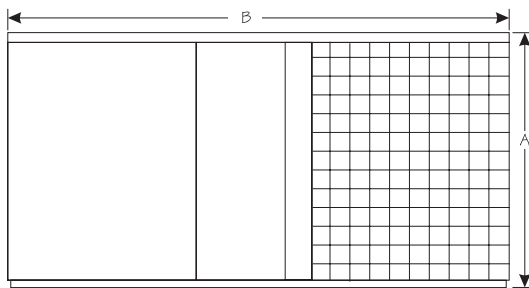


Dimensions (in.)

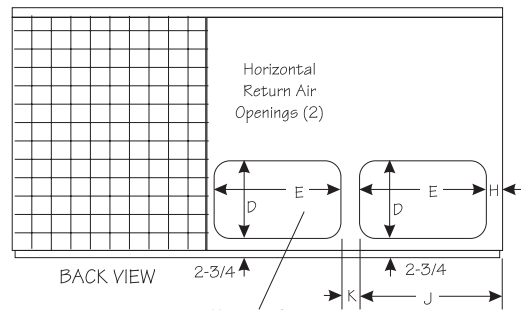
Model	A	B	C	D	E	F	G	H	J	K	L
2SA13B36	34 1/4	65 3/8	36 1/2	11 1/4	17 1/4	20	8 1/2	3	20 1/4	4 1/2	19
2SA13B48	38 1/4	75	46	11 1/4	19 1/4	22	9 1/4	3 1/4	22 1/4	4	16 1/4
2SA13B60											



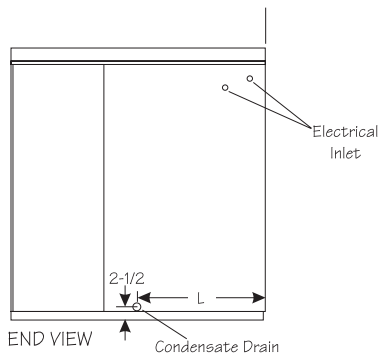
TOP VIEW



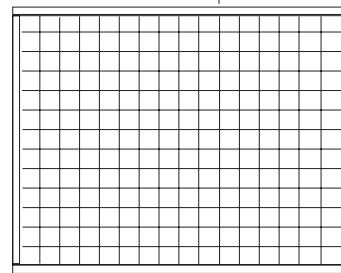
FRONT VIEW



BACK VIEW



END VIEW



END VIEW



All specifications and illustrations
subject to change without notice and
without incurring obligations..

Allied Air Enterprises