

Z-SERIES™ B-BOX QUICK REFERENCE

092-150



Z-SERIES B-BOX ROOFTOP UNITS

7.5- to 12.5-ton packaged gas/electric (ZG)
 7.5- to 12.5-ton packaged electric/electric (ZC)
 7.5- to 10-ton packaged heat pump (ZH)

Net Cooling Capacity

86,000 to 136,000 Btuh (ZG, ZC)
 87,000 to 118,000 Btuh (ZH)

Net Heating Capacity

89,000 to 116,000 Btuh (ZH)

Gas Input Heat Capacity

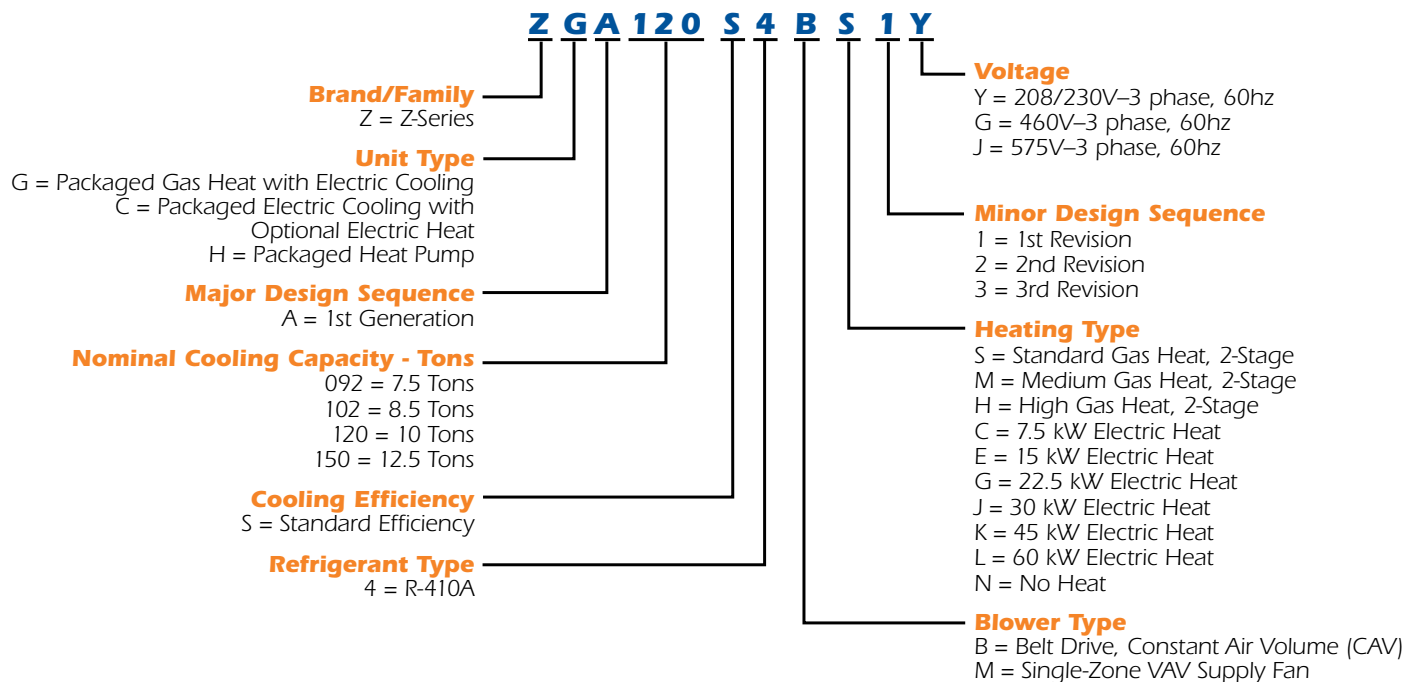
130,000 to 240,000 Btuh (ZG)

Optional Electric Heat

7.5 to 60 kW (ZC, ZH)

ASHRAE 90.1 Compliant

MODEL NUMBER IDENTIFICATION



ELECTRICAL AND WEIGHT

ZGA	VOLTAGE	092	102	120	150
MCA*	208/230/3	57	59	62	76
	460	28	30	32	33
	575	22	23	24	27
MOP**	208/230/3	70	70	70	90
	460	35	35	35	40
	575	25	25	25	30
WEIGHT LBS.		902	922	962	1052

ZCA	VOLTAGE	092	102	120	150
MCA*	208/230/3	57	59	62	76
	460	28	30	32	33
	575	22	23	24	27
MOP**	208/230/3	70	70	70	90
	460	35	35	35	40
	575	25	25	25	30
WEIGHT LBS.		854	874	914	1004

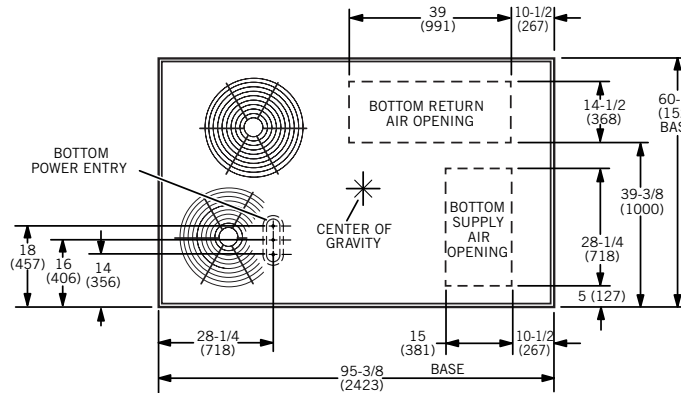
ZHA	VOLTAGE	092	102	120
MCA*	208/230/3	54	57	65
	460	28	29	32
	575	21	22	25
MOP**	208/230/3	70	70	80
	460	35	35	35
	575	25	25	30
WEIGHT LBS.		1036	1068	1126

All amp values include power exhaust accessory.

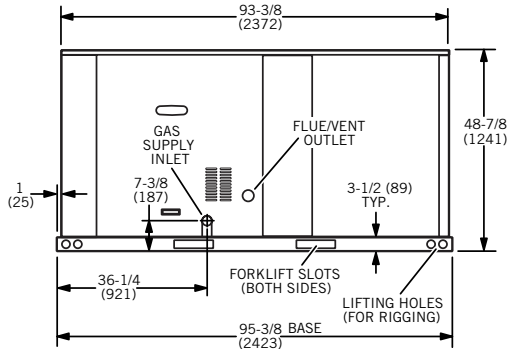
*MCA = Minimum Circuit Ampacity

**MOP = Maximum Overcurrent Protection

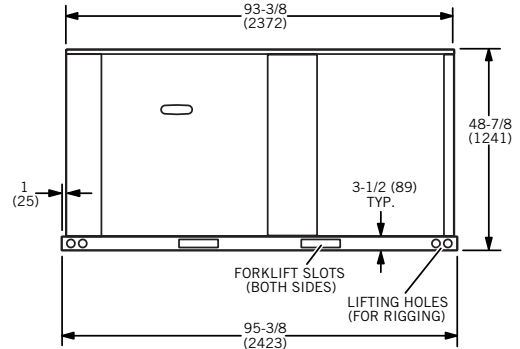
DIMENSIONS— INCHES (MM)



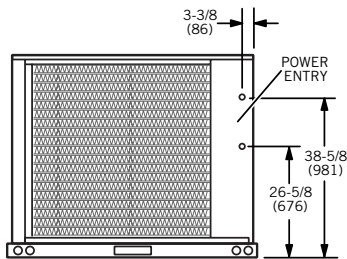
ZGA/ZCA/ZHA: TOP VIEW



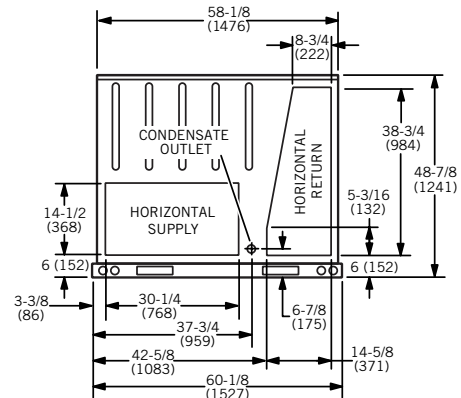
ZGA: FRONT VIEW



ZCA/ZHA: FRONT VIEW



ZGA/ZCA/ZHA: END VIEW



ZGA/ZCA/ZHA: END VIEW